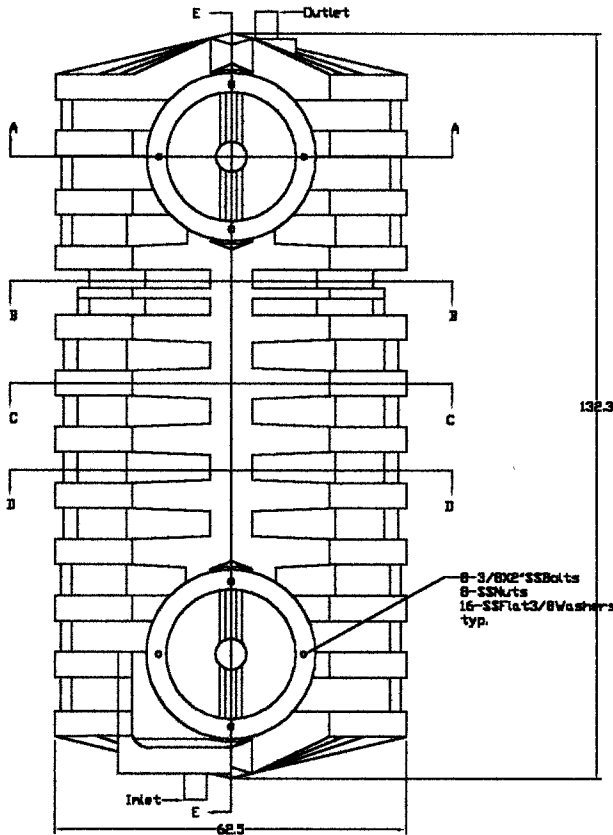
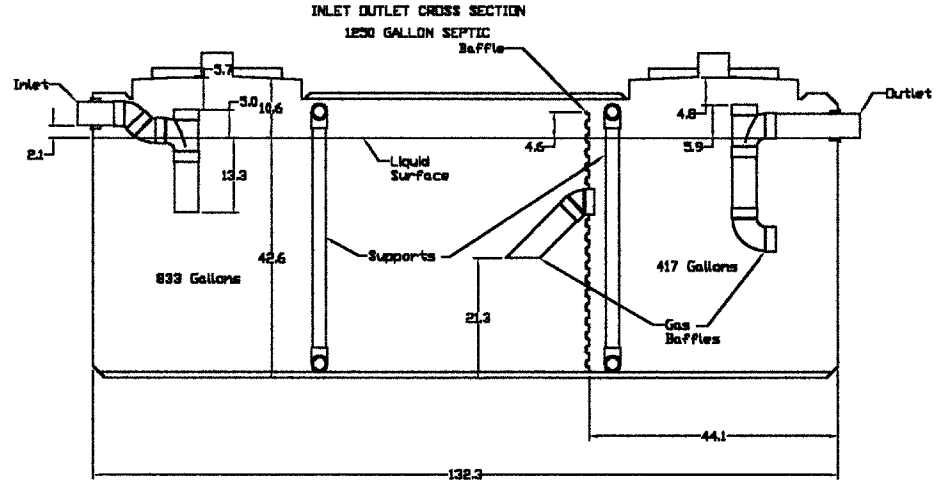


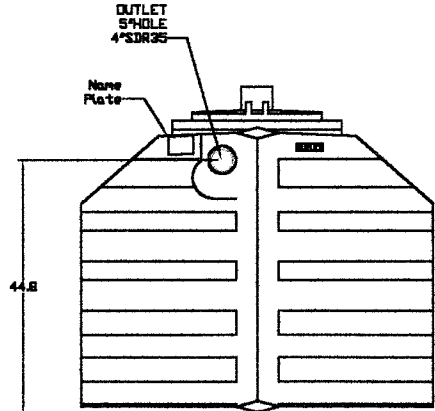
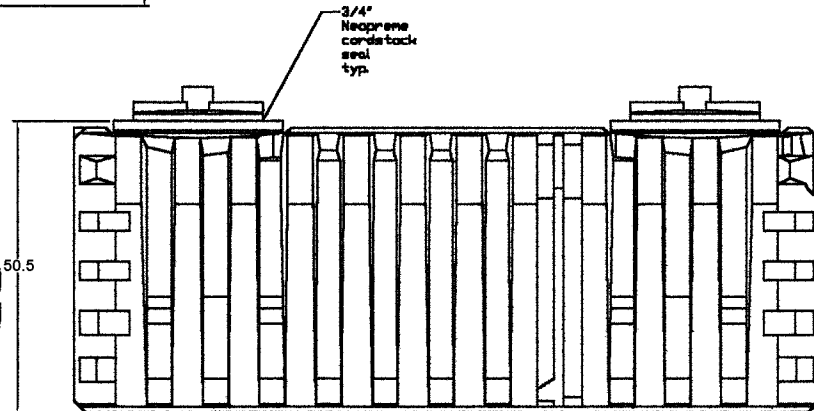
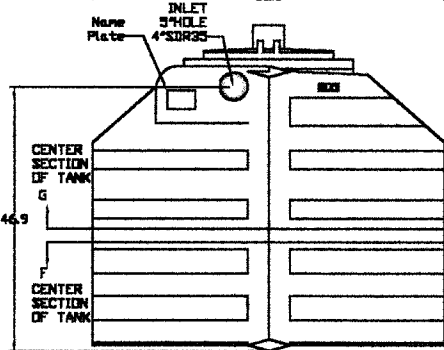
THIS DRAWING MAY NOT BE USED FOR ANY PURPOSE OTHER THAN BY THE OWNER. THE DRAWING & DESIGN ARE PROPERTY OF ROTONICS MANUFACTURING, INC. ALL DIMENSIONS SHOWN ARE OUTSIDE PART DIMENSIONS IN INCHES, AND MAY VARY DUE TO MATERIAL SHRINKAGE. SPECIFICATIONS ARE SUBJECT TO CHANGE WITHOUT NOTICE. GALLONS AND WEIGHTS ARE APPROXIMATE ONLY.



8-3/8" SS Bolts
8-SS Nuts
16-SS Flat Washers
typ.



NOTE
Inlet and outlet pipe is 4" SDR 35.
The two supports are made of 2" SCH 80.
The baffle is made of 4, 0.05" thick sheets of fiberglass.
The baffle fitting is 4" SDR 35.



NOTE
Name plate on both ends. Permanently nailed into tank reads:
RMC-D
DENVER COLO.
MODEL NO. IR-1250
WORKING VOL. 1250 GAL.
MAX EARTH COVER 3 FT.
DATE MFG.
Material: PE Type II
ALL RADII 0.25 UNLESS OTHERWISE SPECIFIED.
TYPICAL WALL THICKNESS OF TANK IS 0.25"

RMI-I
716 No. 11th Avenue
Caldwell, ID 83605
Phone: 208-454-9271
Fax: 208-454-3089

RMI-D
6770 Brighton Blvd.
Commerce City, CO 80022
Phone: 303-227-9300
Fax: 303-227-9308

RMI-G
17038 S. Figueroa St.
Gardena, CA 90248
Phone: 310-327-5401
Fax: 310-323-9567

#36979

ROTONICS MFG. INC.				
SEPTIC TK - 1250 GAL				
DRAWN BY :	PAGE :	DATE :	SCALE :	DWG. NO. :
C.Taylor	1 OF 2	02/26/02	1" = 34"	IR - 1250