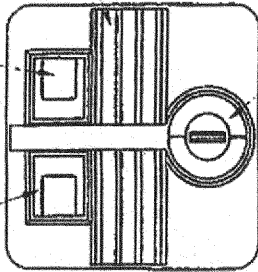


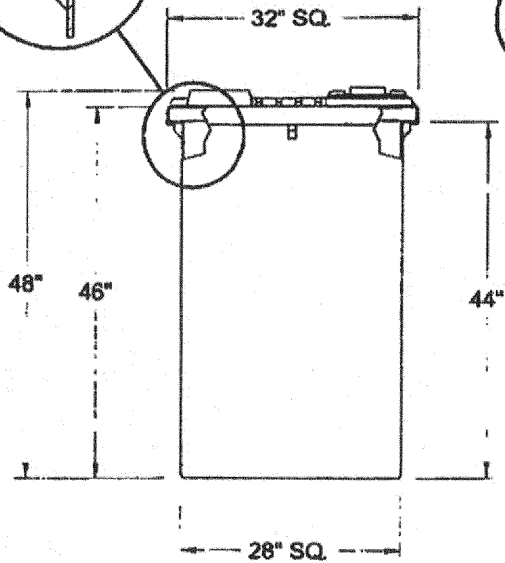
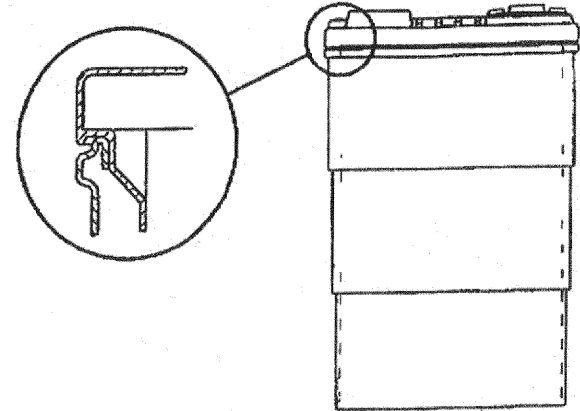
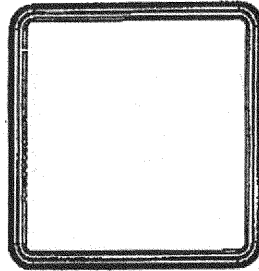
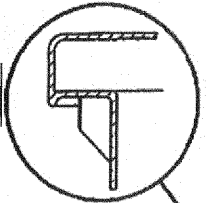
9 1/2 x 14 MIXER PAD  
@ 4" WITH HORIZONTAL PLANE

(2)  
PUMP AREA  
4 7/8 x 4 1/4 x 1/4

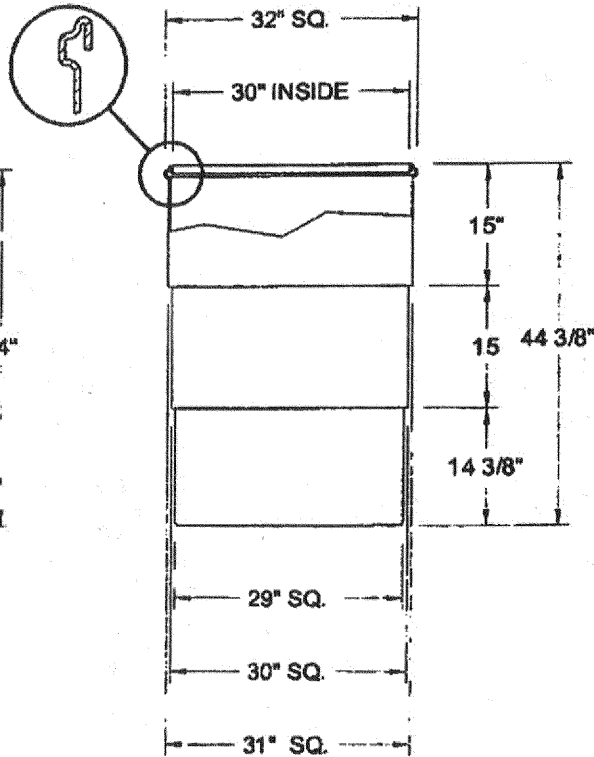


8" THREADED  
LID

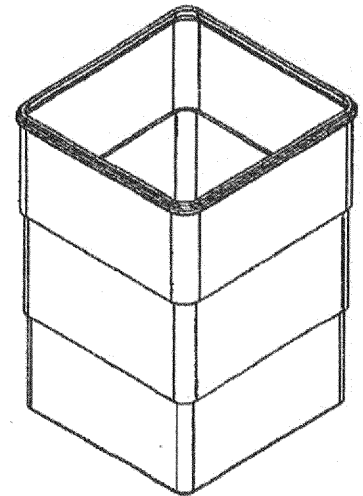
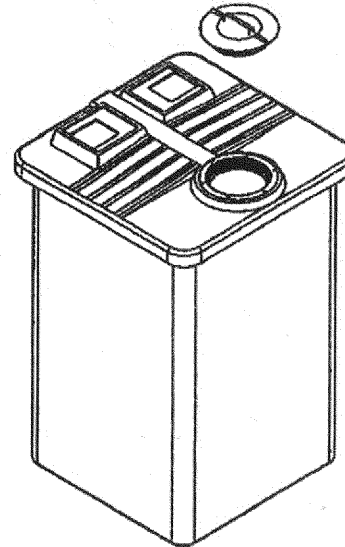
(2)  
PUMP AREA  
7 1/4 x 6 1/2 x 1/4



150 GAL. TANK



170 GAL. OVERFLOW  
BASIN



THIS DRAWING MAY NOT BE USED FOR ANY PURPOSE OTHER THAN BY THE OWNER. THE DRAWING & DESIGN ARE PROPERTY OF ROTONICS MANUFACTURING, INC. ALL DIMENSIONS SHOWN ARE OUTSIDE PART DIMENSIONS IN INCHES, AND MAY VARY DUE TO MATERIAL SHRINKAGE. SPECIFICATIONS ARE SUBJECT TO CHANGE WITHOUT NOTICE. GALLONS AND WEIGHTS ARE APPROXIMATE ONLY.

DO NOT SCALE		ROTONICS MFG. INC.		17038 E. FIGUEROA, GARDENA, CA 90248 Phone: (310) 327-5401 Fax: (310) 323-6567	
APPROVALS	DATE	150 GAL. SQUARE TANK & 170 GAL. OVERFLOW BASIN			
DRAWN BY: DPHAM	5/22/07	SIZE	A	DWG. No.	I-1562
DESIGN BY: DPHAM	5/22/07	SCALE	1 = 24	REV.	
CHECKED BY: MARIO P.		SHEET 1 of 1			
APPROVED BY: MARIO P.					

Part#1633