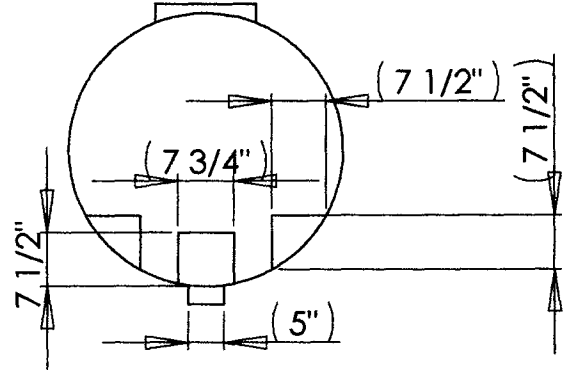
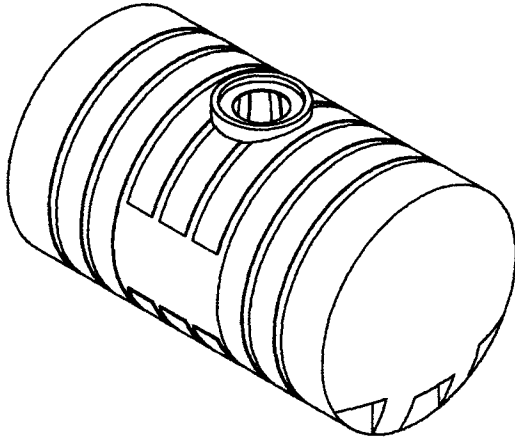
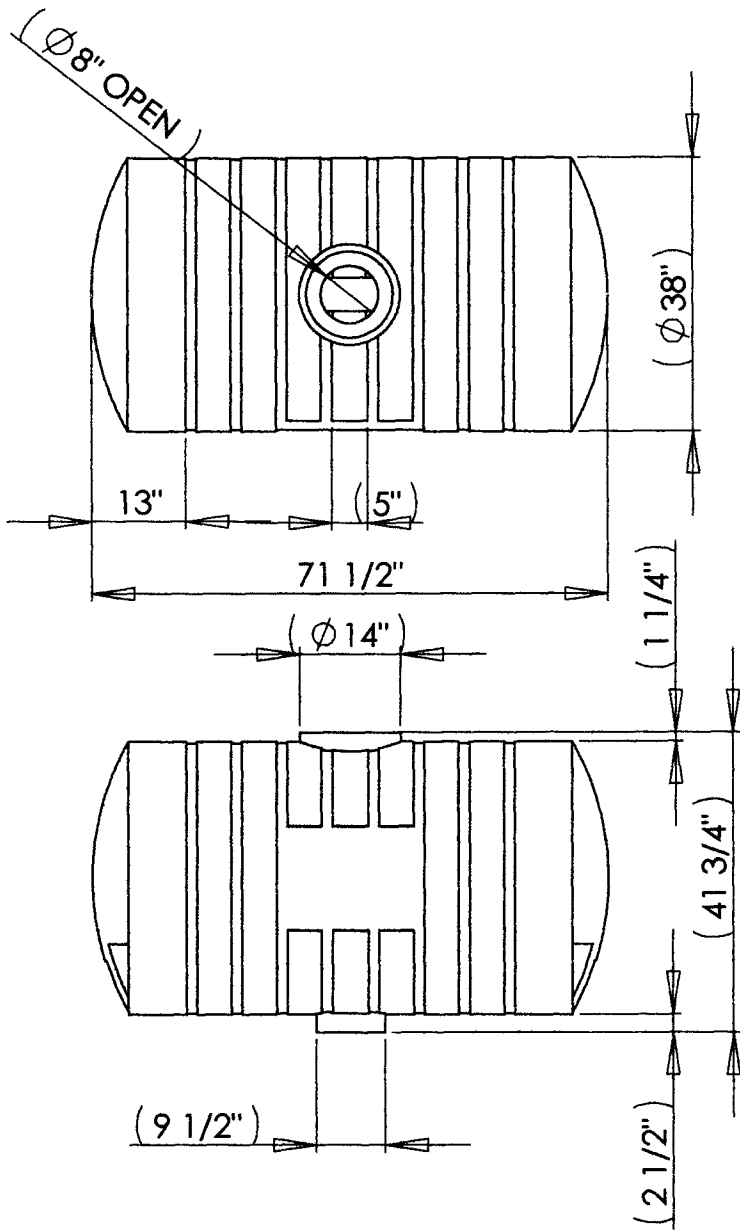


THIS DRAWING MAY NOT BE USED FOR ANY PURPOSE OTHER THAN BY THE OWNER. THE DRAWING & DESIGN ARE PROPERTY OF ROTONICS MANUFACTURING, INC. ALL DIMENSIONS SHOWN ARE OUTSIDE PART DIMENSIONS IN INCHES, AND MAY VARY DUE TO MATERIAL SHRINKAGE. SPECIFICATIONS ARE SUBJECT TO CHANGE WITHOUT NOTICE. GALLONS AND WEIGHTS ARE APPROXIMATE ONLY.



RM-C  
736 Birginal Drive  
Bensenville, IL 60106  
Phone: 630-773-9510  
Fax: 630-773-4274

RMI-I  
716 No. 11th Avenue  
Caldwell, ID 83605  
Phone: 208-454-9271  
Fax: 208-454-3089

<b>ROTONICS MFG. INC.</b>				
#6456		<b>300 GALLON FULL RIBBED HORIZONTAL SADDLE TANKS</b>		
<b>DRAWN BY:</b> HUTHMACHER	<b>DESIGN BY:</b>	<b>DATE :</b> 8/7/03	<b>SCALE :</b> 1 = 25	<b>DWG. NO.</b>