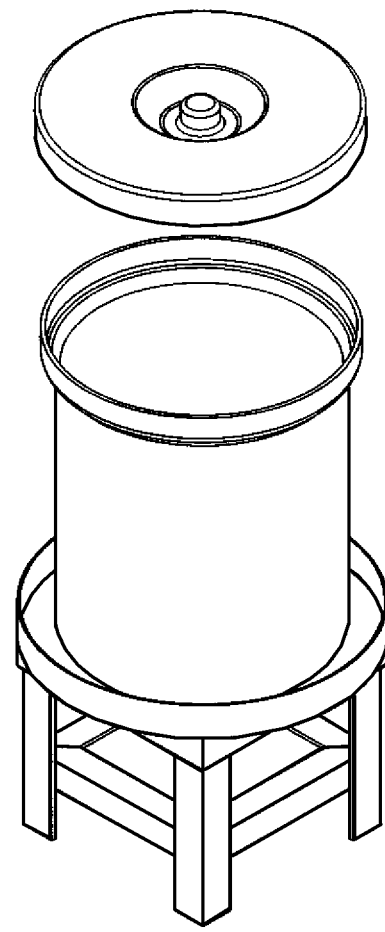
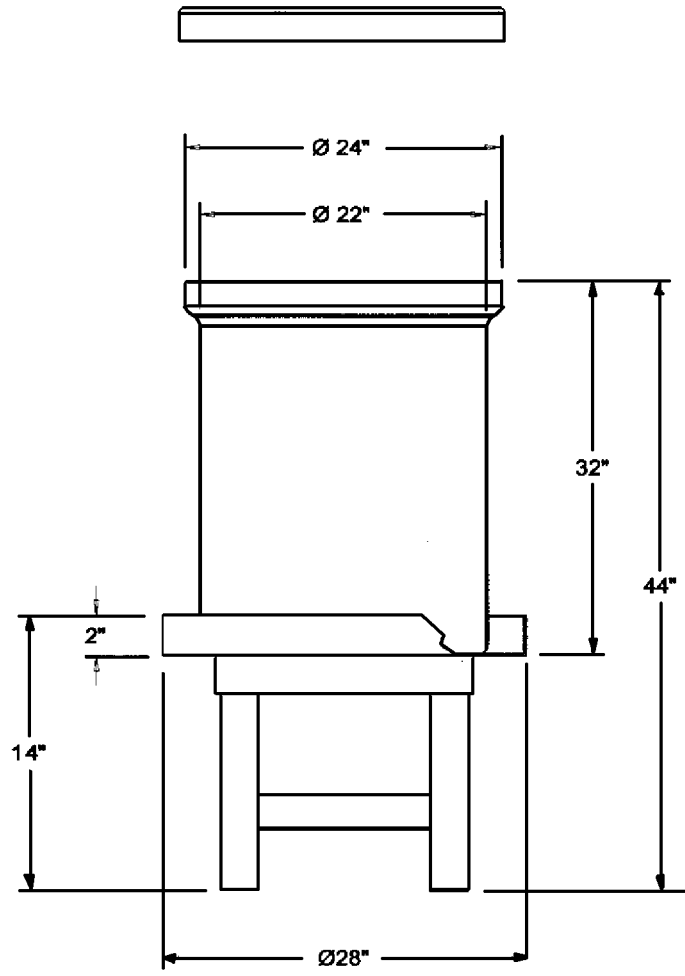


THIS DRAWING MAY NOT BE USED FOR ANY PURPOSE OTHER THAN BY THE OWNER. THE DRAWING & DESIGN ARE PROPERTY OF ROTONICS MANUFACTURING, INC. ALL DIMENSIONS SHOWN ARE OUTSIDE PART DIMENSIONS IN INCHES, AND MAY VARY DUE TO MATERIAL SHRINKAGE. SPECIFICATIONS ARE SUBJECT TO CHANGE WITHOUT NOTICE. GALLONS AND WEIGHTS ARE APPROXIMATE ONLY.



DO NOT SCALE		ROTONICS MFG. INC.		17038 S. FIGUEROA ST. GARDENA, CA 90248 Phone: (310) 327-5401 Fax: (310) 323-9557	
APPROVALS	DATE	50 gal. POLLY CROCK AND STAND			
DRAWN BY: DPHAM	10/22/03				
DESIGN BY: DPHAM		SIZE	A	DWG. No.	I-1477
CHECKED BY:		REV.			
APPROVED BY:		SHEET 1 of 1			