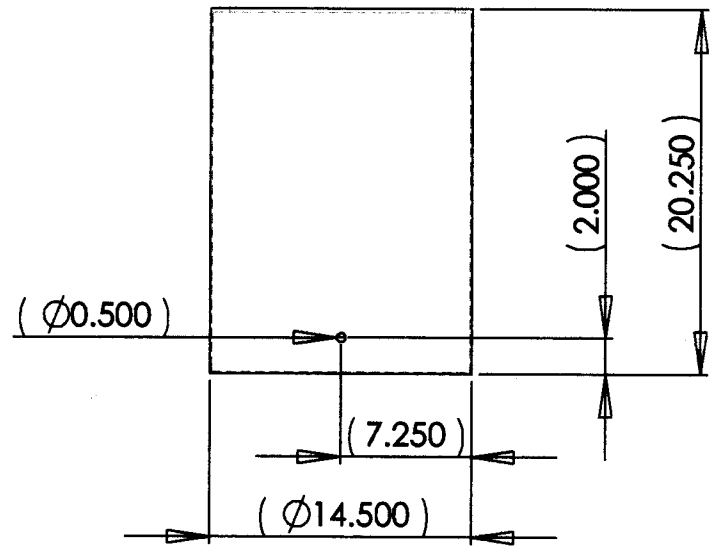
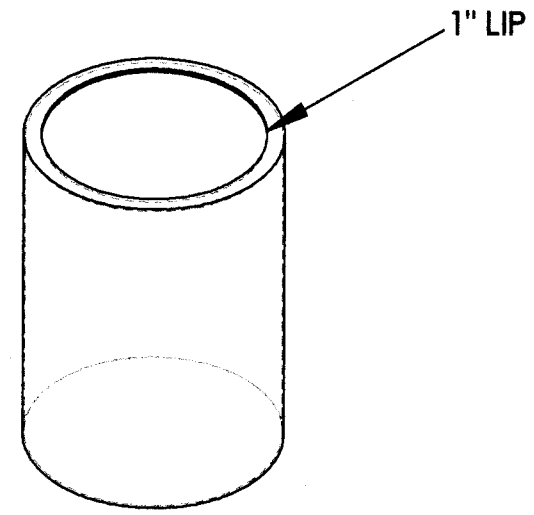
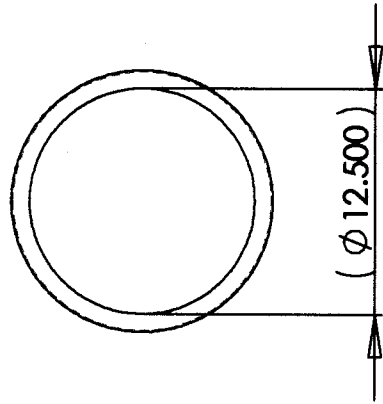


THIS DRAWING MAY NOT BE USED FOR ANY PURPOSE OTHER THAN BY THE OWNER. THE DRAWING & DESIGN ARE PROPERTY OF ROTONICS MANUFACTURING, INC. ALL DIMENSIONS SHOWN ARE OUTSIDE PART DIMENSIONS IN INCHES, AND MAY VARY DUE TO MATERIAL SHRINKAGE. SPECIFICATIONS ARE SUBJECT TO CHANGE WITHOUT NOTICE. GALLONS AND WEIGHTS ARE APPROXIMATE ONLY.



**ROTONICS MFG. INC.**

736 Birginal Drive  
 Bensenville, IL 60106  
 Phone: (630) 773-9510  
 Fax: (630) 773-4274

#7017 **CYLINDRICAL TANK CT-15SIF**

DRAWN BY: R. HUTHMACHER	DESIGNED BY:	DATE: 8/1/03	SCALE: 1 = 10	DWG. No.
-------------------------------	--------------	-----------------	------------------	----------