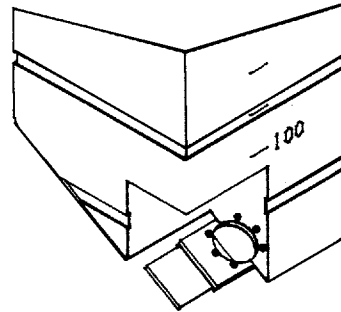
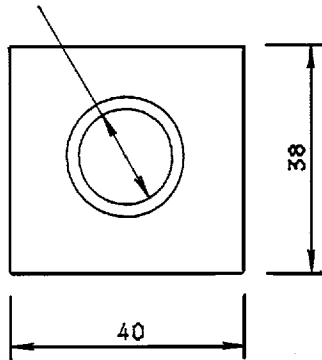
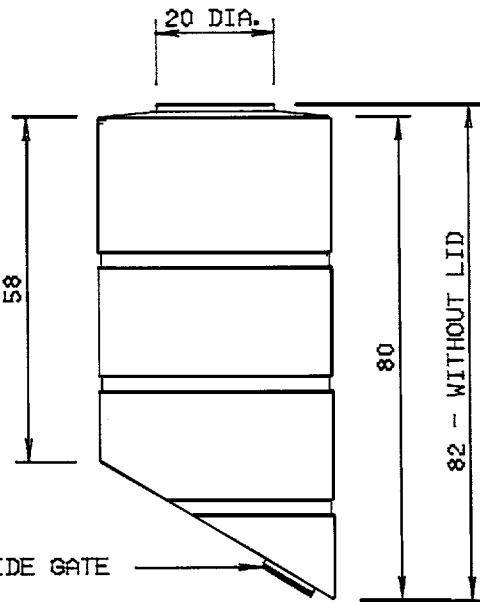
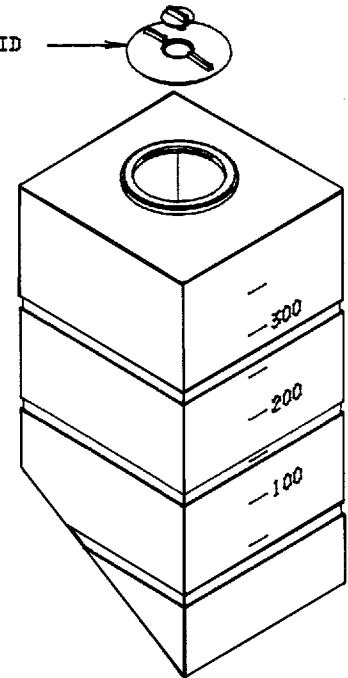


16" DIA. - OPENING

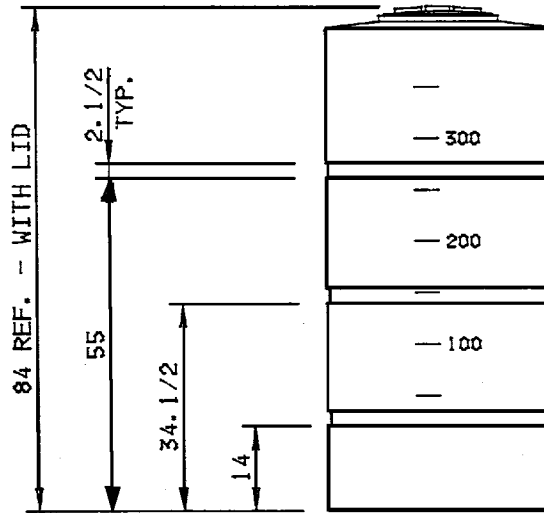


SLIDE GATE

15" THREADED LID



SLIDE GATE
AVAILABLE
UPON REQUEST
SEE ABOVE



THIS DRAWING MAY NOT BE USED FOR ANY PURPOSE OTHER THAN BY THE OWNER. THE DRAWING & DESIGN ARE PROPERTY OF ROTONICS MANUFACTURING, INC. ALL DIMENSIONS SHOWN ARE OUTSIDE PART DIMENSIONS IN INCHES, AND MAY VARY DUE TO MATERIAL SHRINKAGE. SPECIFICATIONS ARE SUBJECT TO CHANGE WITHOUT NOTICE. GALLONS AND WEIGHTS ARE APPROXIMATE ONLY.

ROTONICS MFG. INC.

17038 SOUTH FIGUEROA ST.
GARDENA, CA. 90248
(310) 327- 5401

#6519

400 GAL. RECTANGULAR
VERTICAL TANK

DRAWN BY:
Dphm

DESIGN BY:

DATE:
03-11-96

SCALE :
1 = 32

ING. NO.

S-1279