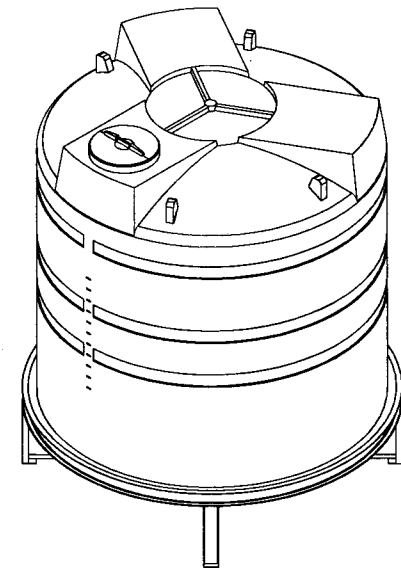
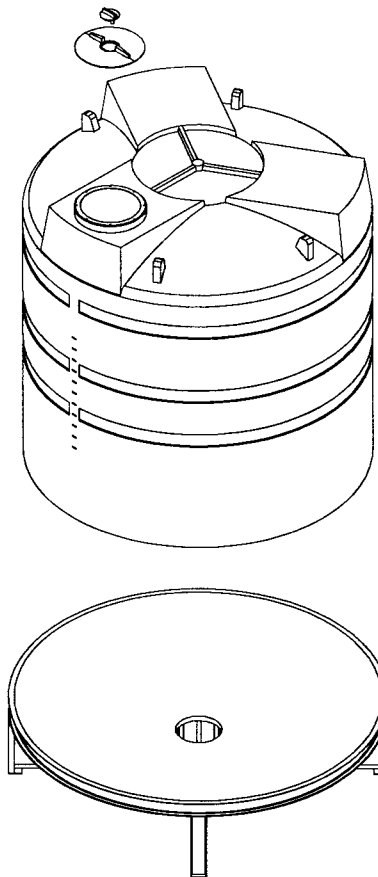
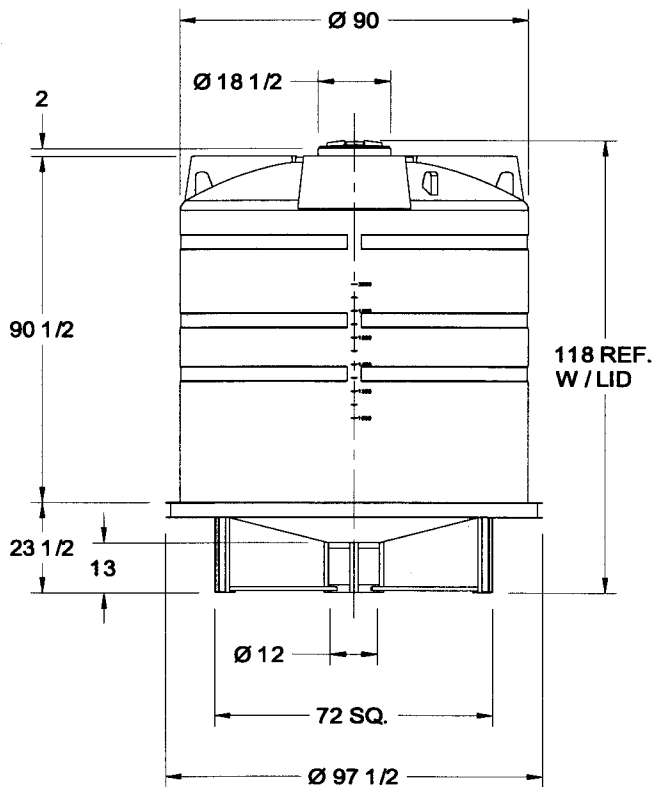
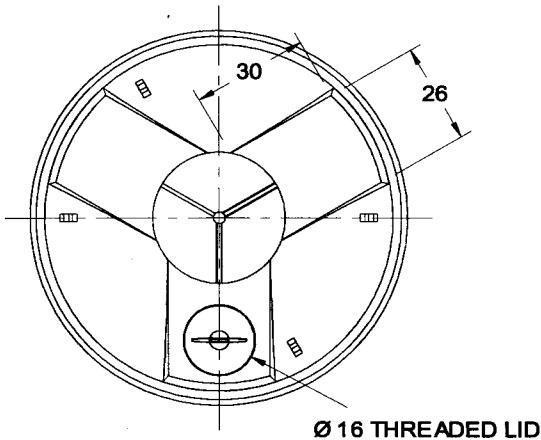


THIS DRAWING MAY NOT BE USED FOR ANY PURPOSE OTHER THAN BY THE OWNER. THE DRAWING & DESIGN ARE PROPERTY OF ROTONICS MANUFACTURING, INC. ALL DIMENSIONS SHOWN ARE OUTSIDE PART DIMENSIONS IN INCHES, AND MAY VARY DUE TO MATERIAL SHRINKAGE. SPECIFICATIONS ARE SUBJECT TO CHANGE WITHOUT NOTICE. GALLONS AND WEIGHTS ARE APPROXIMATE ONLY.



RMI-I  
716 No. 11th Avenue  
Caldwell, Id 83605  
Phone: 208-454-9271  
Fax: 208-454-3089

DO NOT SCALE		ROTONICS MFG. INC.		17038 S. FIGUEROA ST. GARDENA, CA. 90248 Phone: (310) 327-5401 Fax: (310) 323-9567	
APPROVALS	DATE	2800 gal. - Ø 90 CONE BOTTOM TK. & STAND			
DRAWN BY: DPHAM	2/06/08				
DESIGN BY: DPHAM		SIZE	A	DWG. No.	S-1537
CHECKED BY: MARIO P.				REV.	
APPROVED BY: MARIO P.		SCALE: 1 = 50		SHEET 1 of 1	