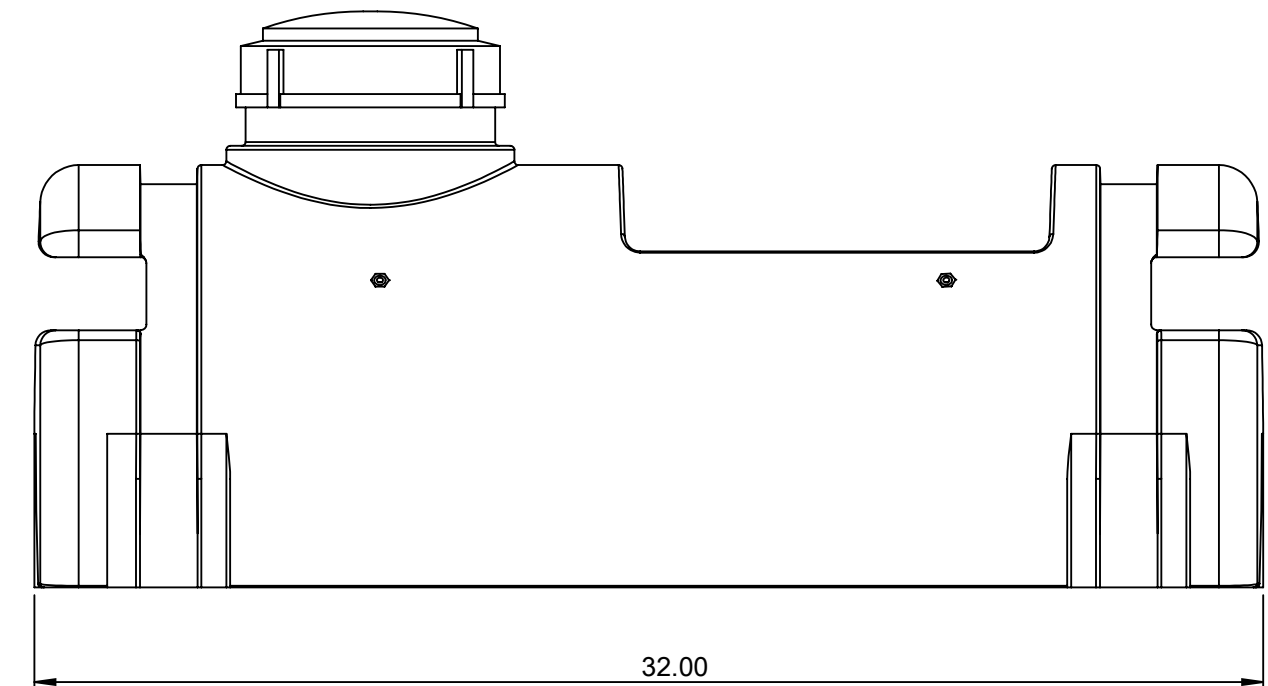
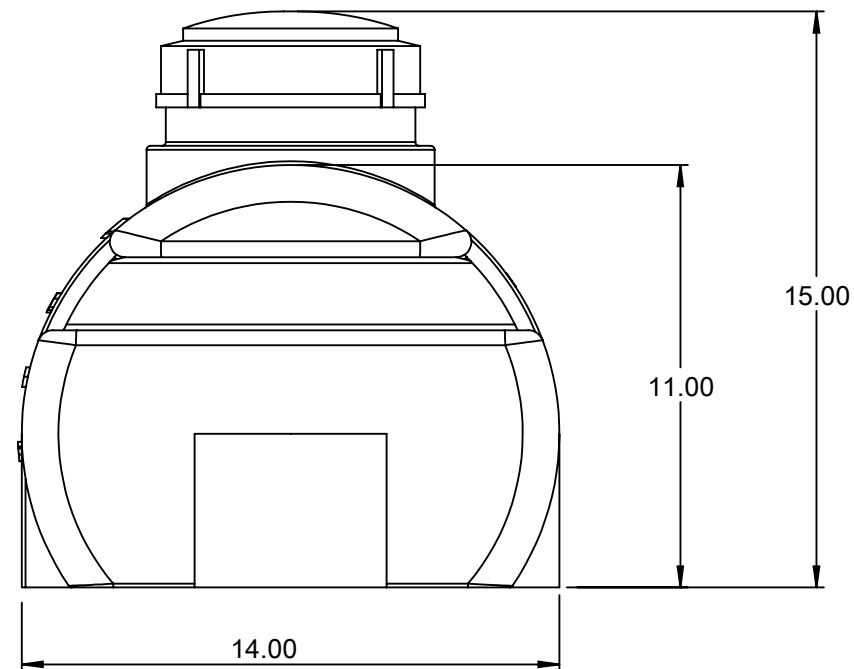
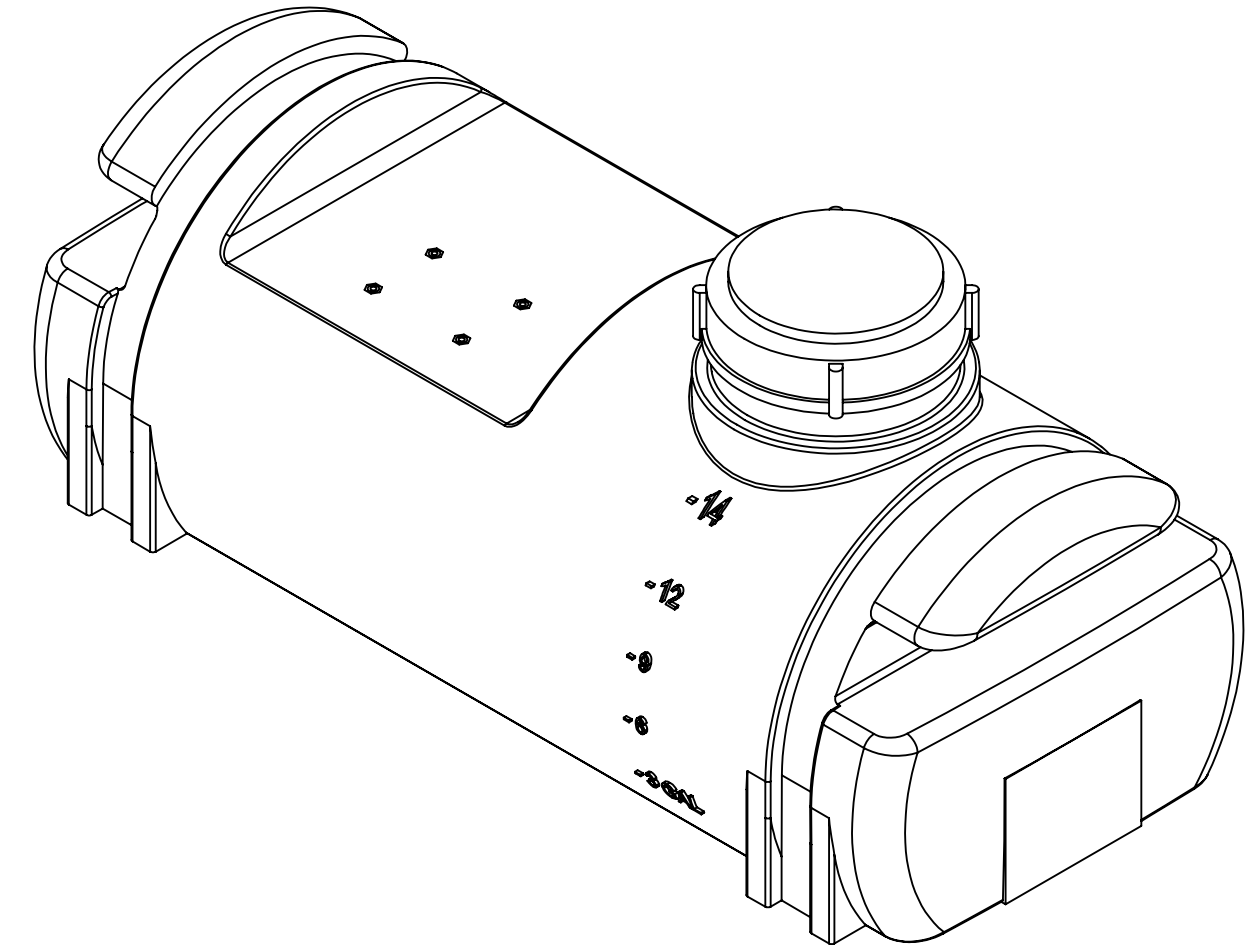
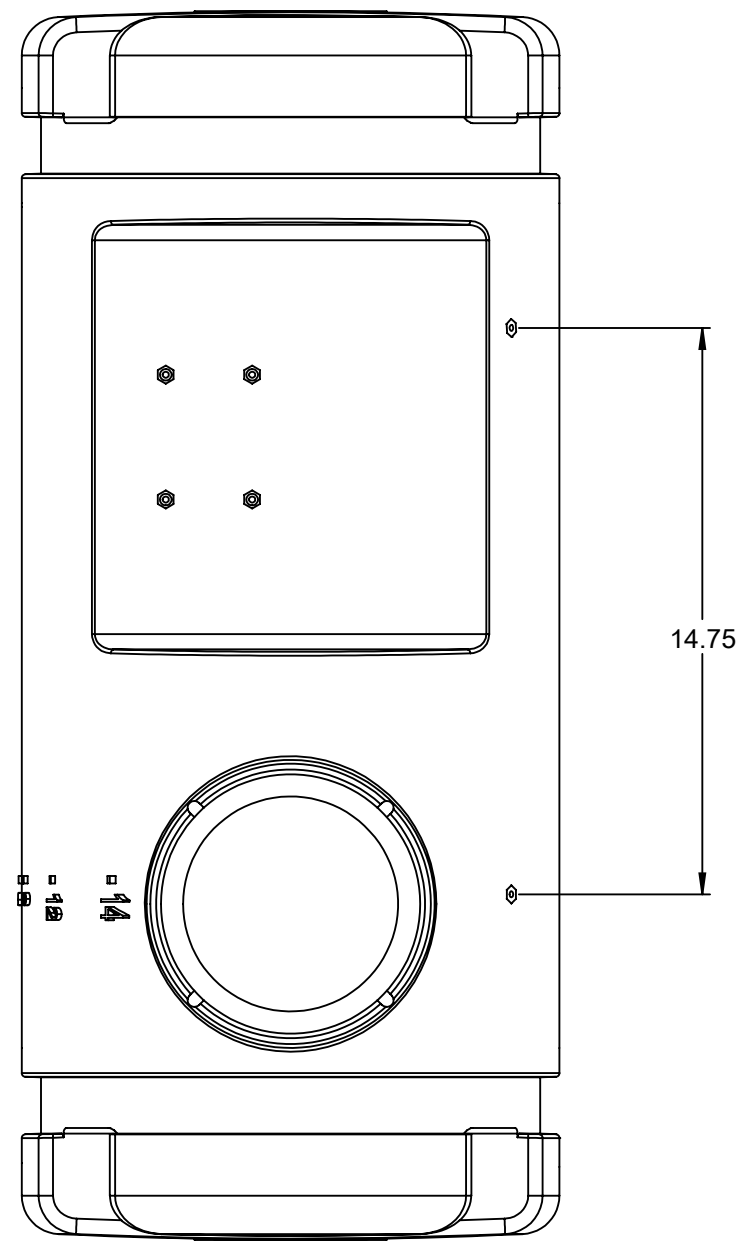


THIS DRAWING MY NOT BE USED FOR ANY PURPOSE OTHER THAN BY THE OWNER. THE DRAWING & DESIGN ARE PROPERTY OF ROTONICS MANUFACTURING, INC. ALL DIMENSIONS SHOWN ARE OUSIDE PART DIMENSIONS IN INCHES, AND MAY VARY DUE TO MATERIAL SHRINKAGE. SPECIFICTIONS ARE SUBJECT TO CHANGE WITHOUT NOTICE. GALLONS AND WEIGHTS ARE APPROXIMATE ONLY.



ROTONICS MFG, INC.
www.rotomics.com

17038 S Figueroa St
Gardena, CA 90248
Phone: 310-327-5401
Fax: 310-323-9567

TITLE:
6016 15 GALLON SPRAYER TANK

DRAWN BY: S CAMPBELL	DATE: 08/26/09	DWG. NO. 6016	REV: B
-------------------------	-------------------	------------------	-----------

SCALE: 1:5 SHEET 1 OF 1