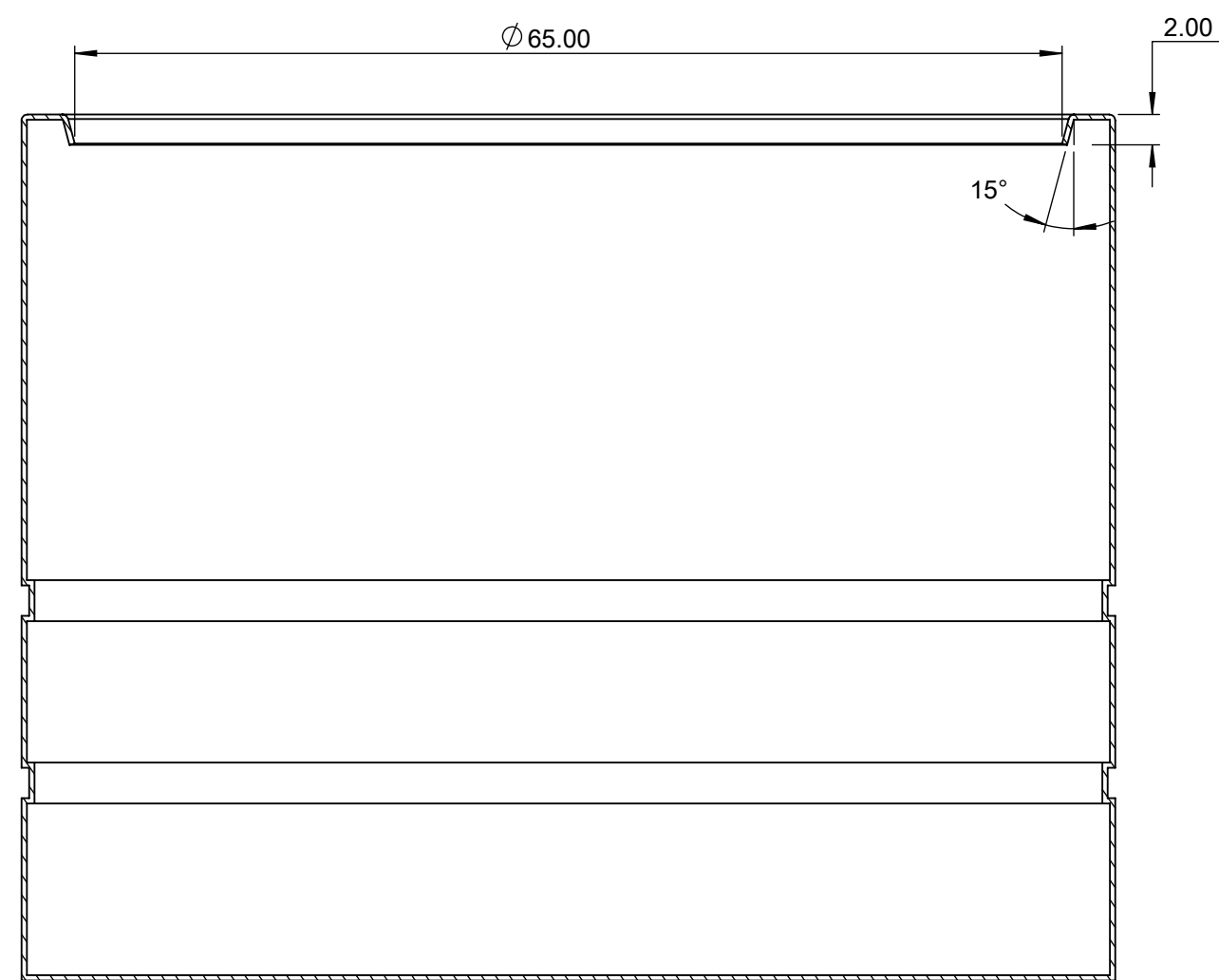
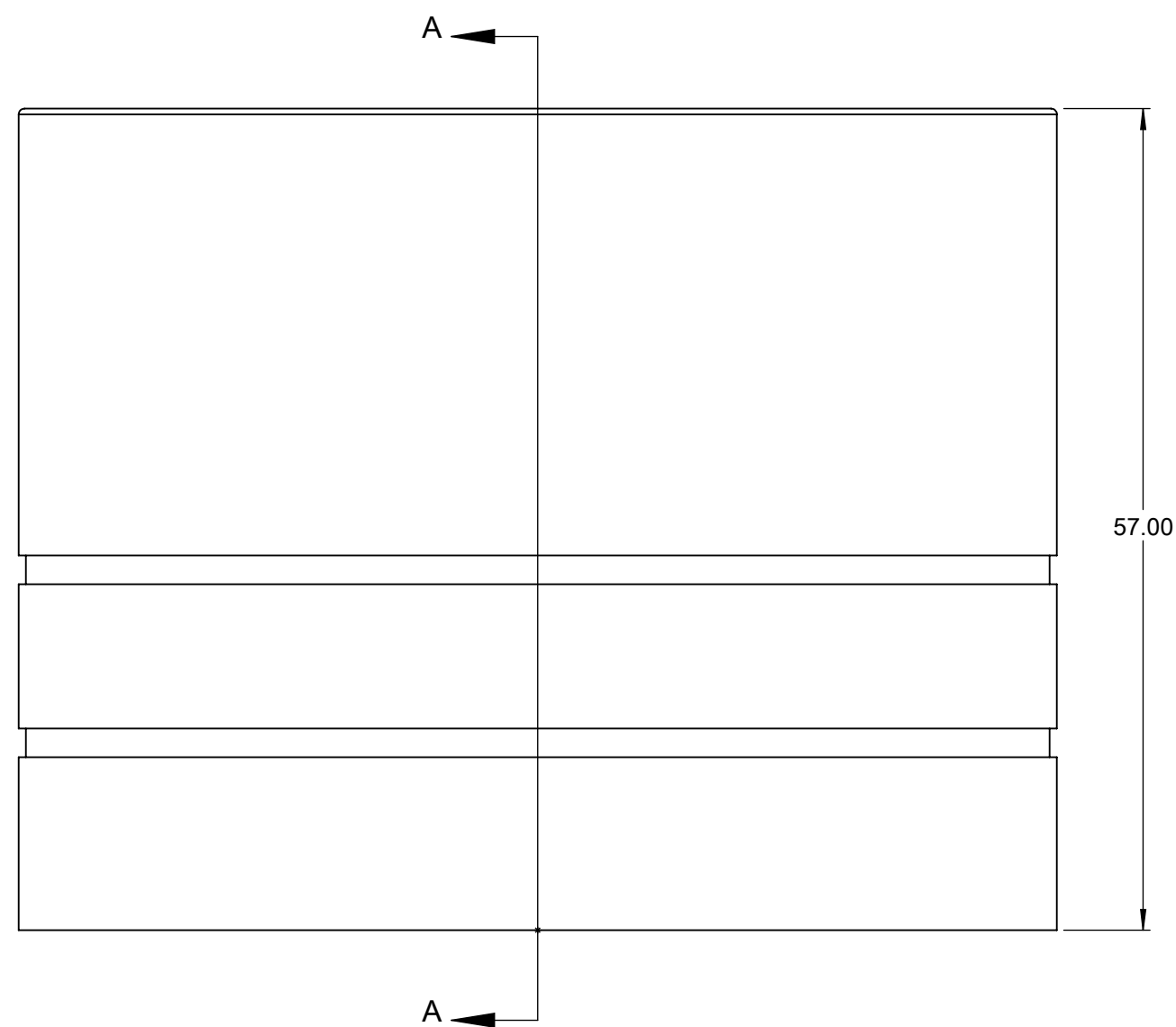
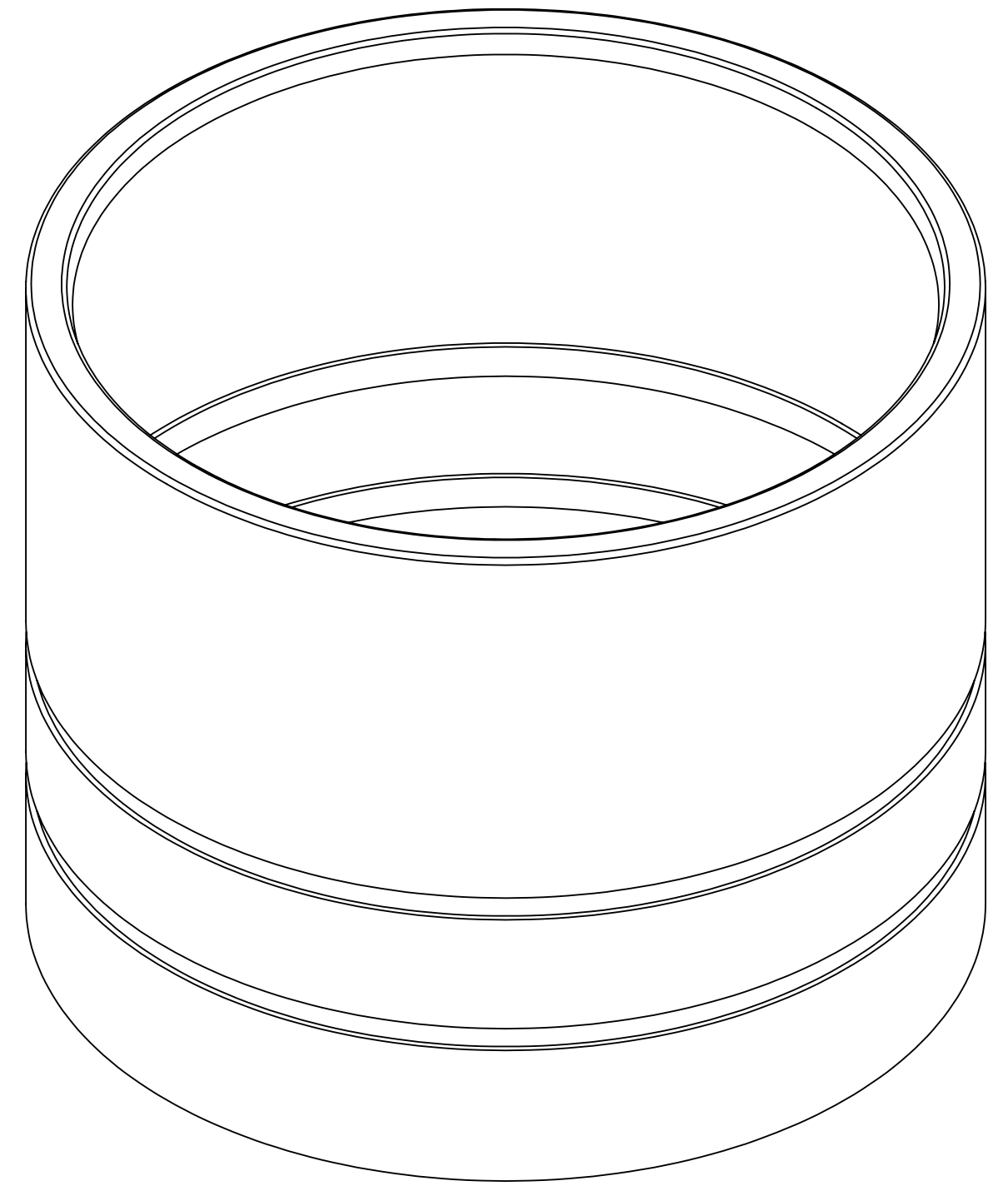
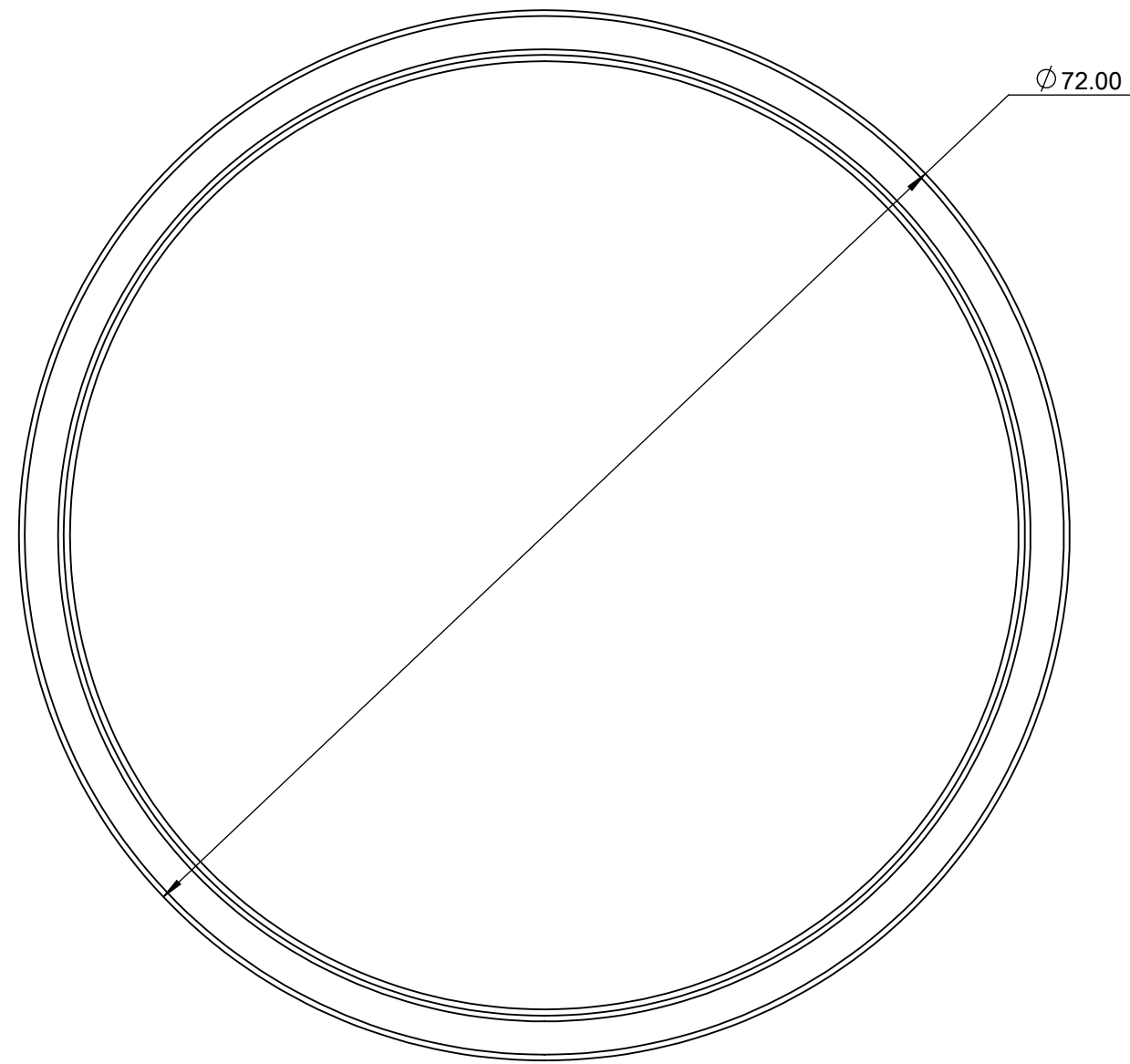


THIS DRAWING MY NOT BE USED FOR ANY PURPOSE OTHER THAN BY THE OWNER. THE DRAWING & DESIGN ARE PROPERTY OF ROTONICS MANUFACTURING, INC. ALL DIMENSIONS SHOWN ARE OUSIDE PART DIMENSIONS IN INCHES, AND MAY VARY DUE TO MATERIAL SHRINKAGE. SPECIFICATIONS ARE SUBJECT TO CHANGE WITHOUT NOTICE. GALLONS AND WEIGHTS ARE APPROXIMATE ONLY.



SECTION A-A

RMI-D  
6770 Brighton Blvd.  
Commerce City, CO 80022  
Phone: 303-227-9300  
Fax: 303-227-9308

RMI-G  
17038 S. Figueroa St.  
Gardena, CA 90248  
Phone: 310-327-5401  
Fax: 310-323-9567

**ROTONICS MFG, INC.**  
www.rotomics.com

TITLE: **6563 Ø 72" 960 GALLON CONTAINMENT BASIN**

DRAWN BY: S CAMPBELL	DATE: 09/01/09	DWG. NO. 6563	REV: A
-------------------------	-------------------	------------------	-----------

SCALE: 1:12 SHEET 1 OF 1