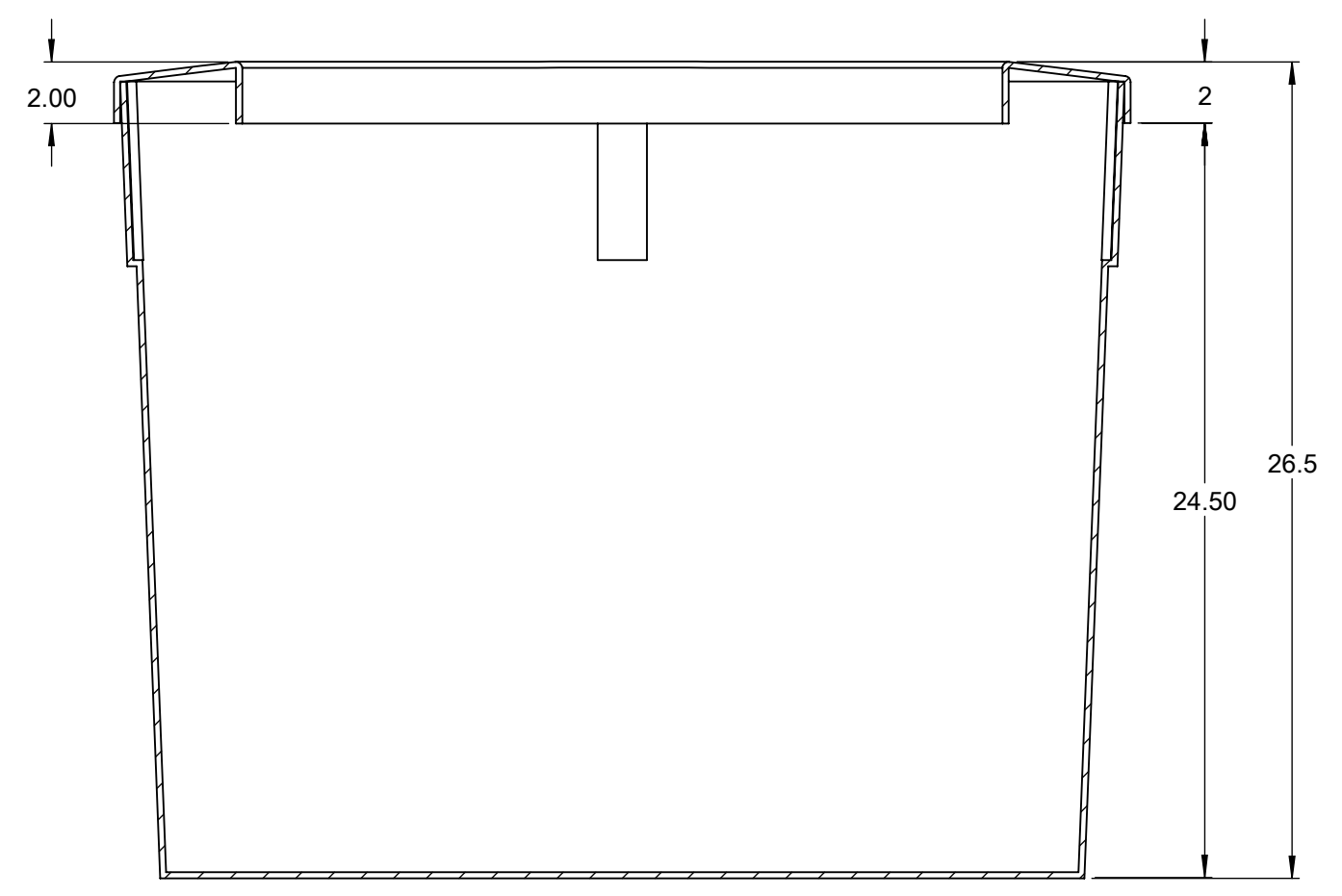
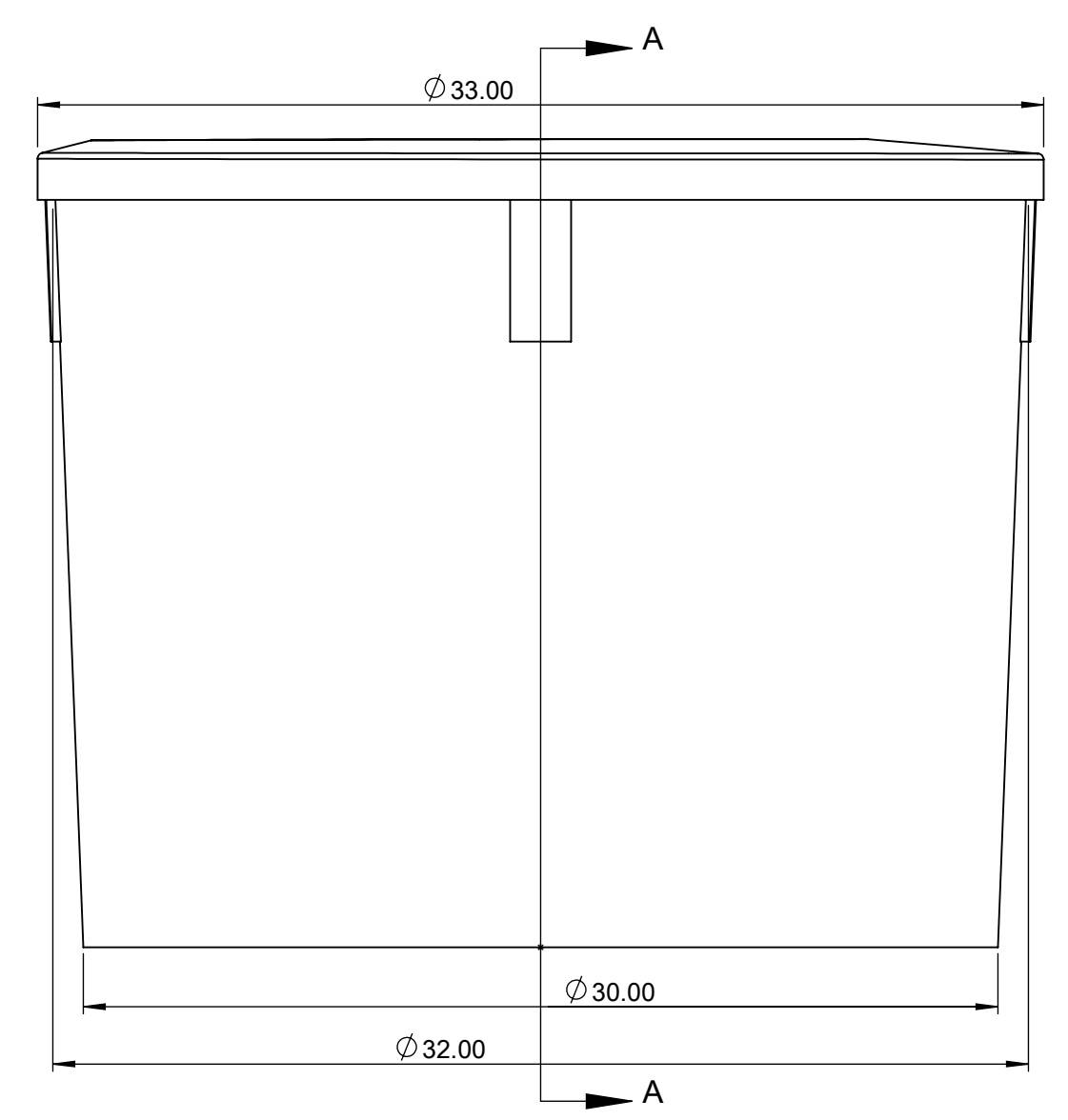
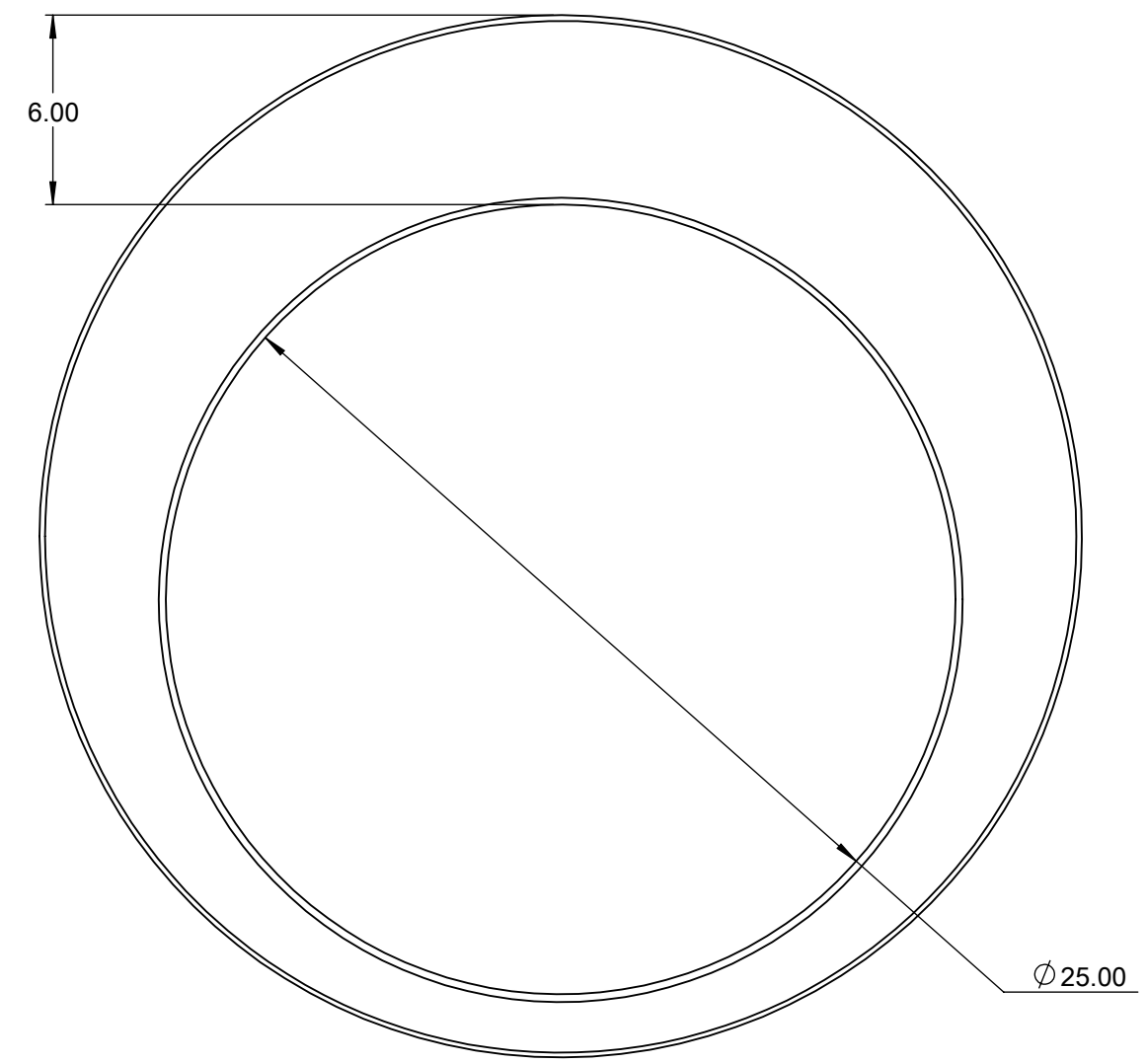
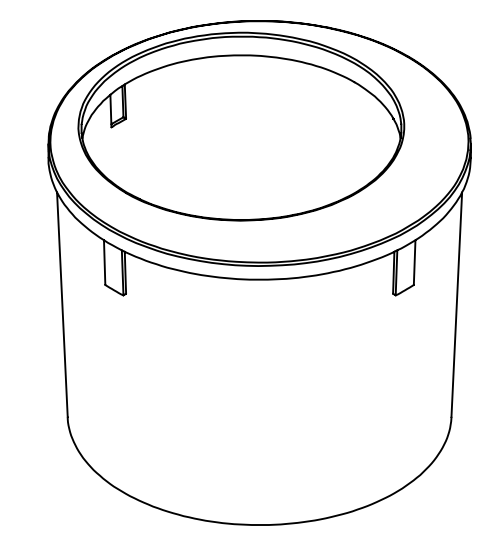
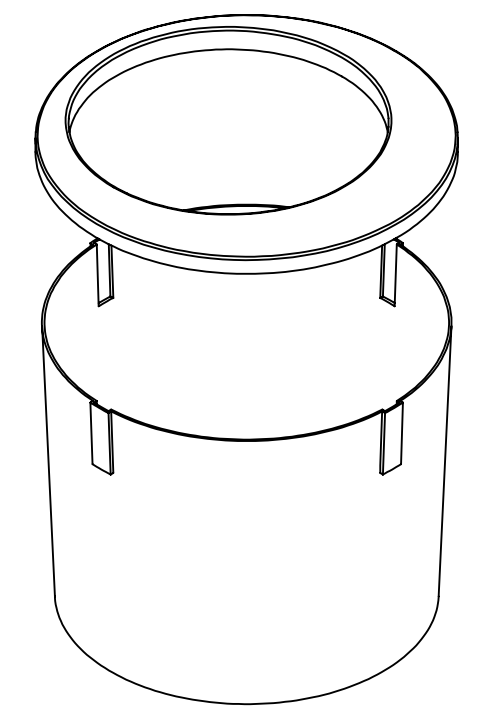


THIS DRAWING MY NOT BE USED FOR ANY PURPOSE OTHER THAN BY THE OWNER. THE DRAWING & DESIGN ARE PROPERTY OF ROTONICS MANUFACTURING, INC. ALL DIMENSIONS SHOWN ARE OUSIDE PART DIMENSIONS IN INCHES, AND MAY VARY DUE TO MATERIAL SHRINKAGE. SPECIFICATIONS ARE SUBJECT TO CHANGE WITHOUT NOTICE. GALLONS AND WEIGHTS ARE APPROXIMATE ONLY.



SECTION A-A



RMI-F
230 Bartow Mun. Airport
Bartow, FL 33830
Phone: 863-534-1766
Fax: 863-533-0407

RMI-D
6770 Brighton Blvd.
Commerce City, CO 80022
Phone: 303-227-9300
Fax: 303-227-9308

ROTONICS MFG, INC.
www.rotonics.com

RMI-G
17038 S. Figueroa St.
Gardena, CA 90248
Phone: 310-327-5401
Fax: 310-323-9567

TITLE: 6548 80 GALLON OVERFLOW BASIN			
DRAWN BY: S CAMPBELL	DATE: 08/19/09	DWG. NO. 6548	REV: A
SCALE: 1:6			SHEET 1 OF 1