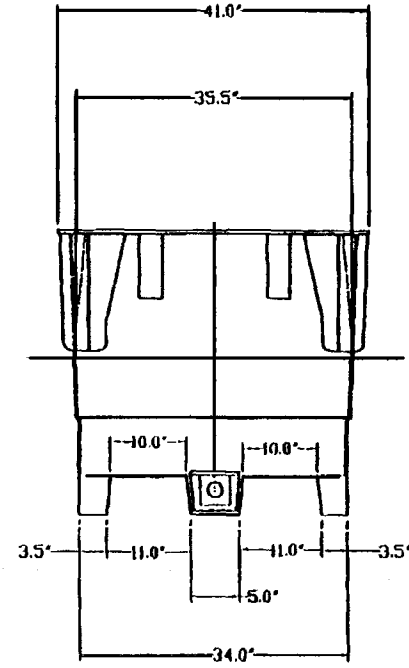
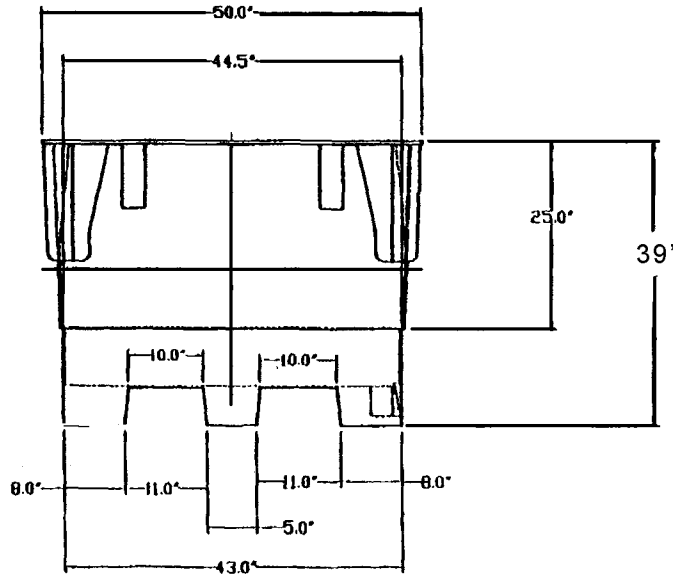
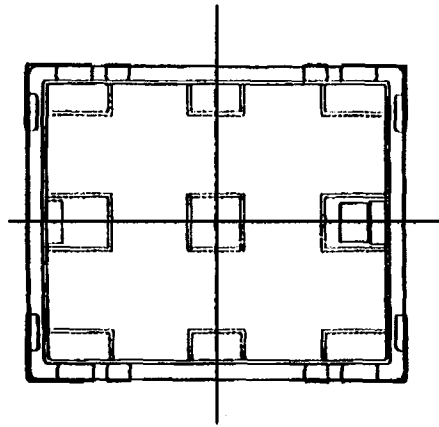


This drawing may not be used for any purpose other than by the owner. The drawing and design are property of Rotonics Manufacturing, Inc. All dimensions shown are outside part dimensions in inches, and may vary due to material shrinkage. Specifications are subject to change without notice. Gallons and weights are approximate only.



Rotonics Mfg. Inc. - Chicago		
736 Birghol Dr. Bensenville Il. (630)773-9510		
DATE	DRAWN	DATE
SCALE	DESIGNED	DATE
TOLERANCES	APPROVED	DATE
(1) Dec Pts = ± .010"	CUSTOMER	77#
(2) Dec Pts = ± 0.003"	RMI-C	SHEET
DRAWING TITLE		
BTF-38 Bulk tank		