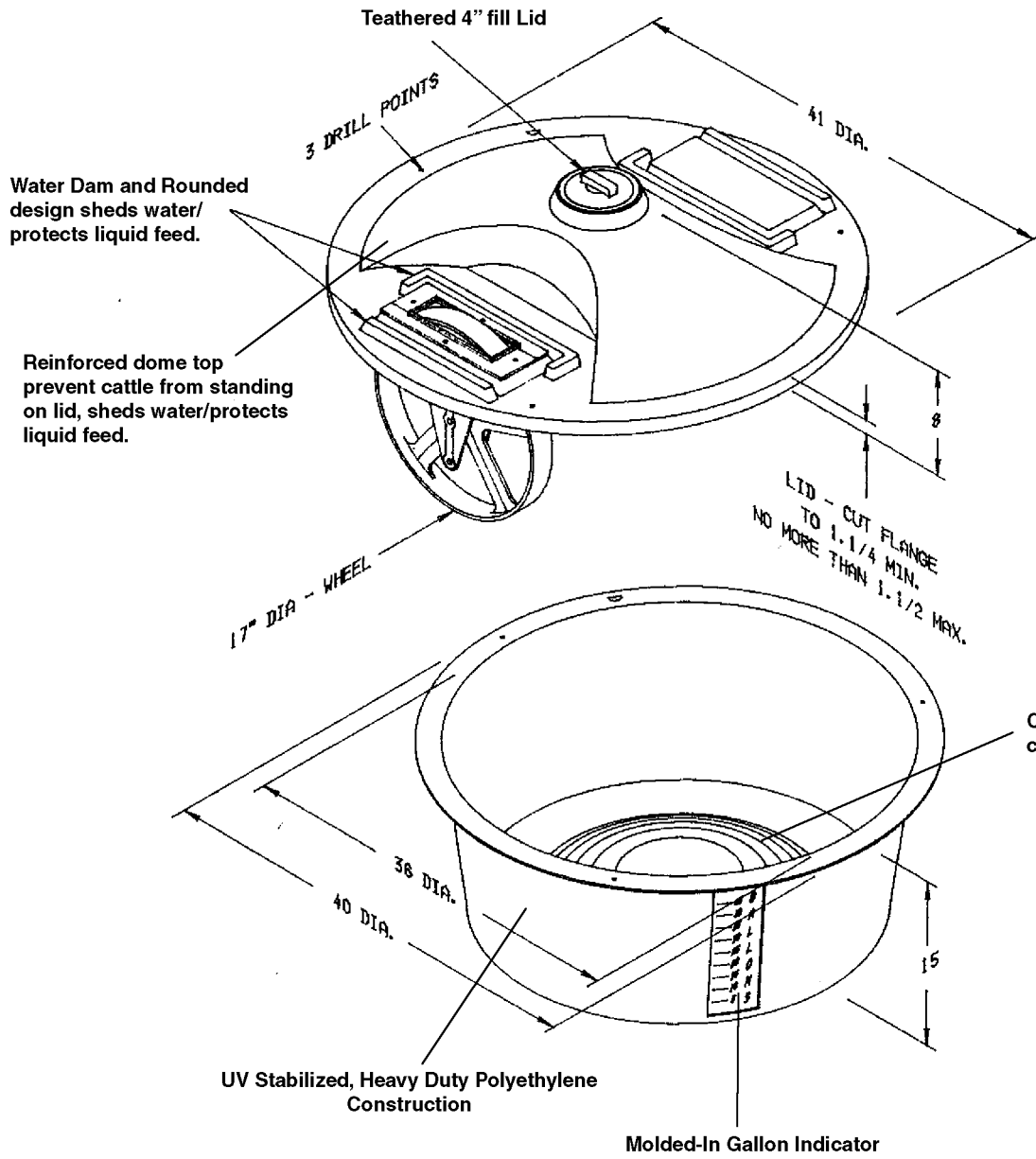


This drawing may not be used for any purpose other than by the owner. The drawing and design are property of Rotonics Manufacturing, Inc. All dimensions shown are outside part dimensions in inches, and may vary due to material shrinkage. Specifications are subject to change without notice. Gallons and weights are approximate only.



Convexed base enhances feed cleanout/decreases waste

RMI-G
17038 South Figueroa St.
Gardena, CA 90248
310-327-5401

RMI-F
230 Bartow Municipal Airport
Bartow, FL 33830
863-533-0629

RMI-I
716 North 11th Avenue
Caldwell, Idaho 83605
208-454-9271

RMI-T
3023 S. I-35
Gainesville, TX 76240
940-668-8596

ROTONICS MFG. INC. 17038 SOUTH FIGUEROA ST.
GARDENA, CA. 90248
(310) 327- 5401

55 GAL. LICKFEEDER

DRAWN BY: Dpham	DESIGN BY:	DATE: 10-14-96	SCALE: NONE	DWG. NO. S-1273
--------------------	------------	-------------------	----------------	--------------------