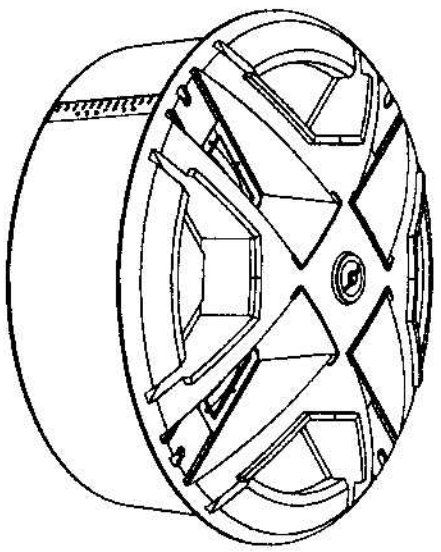
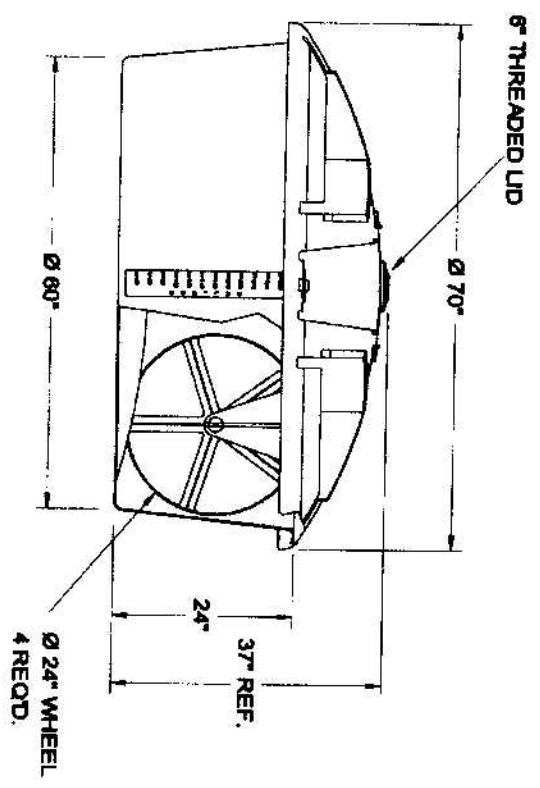
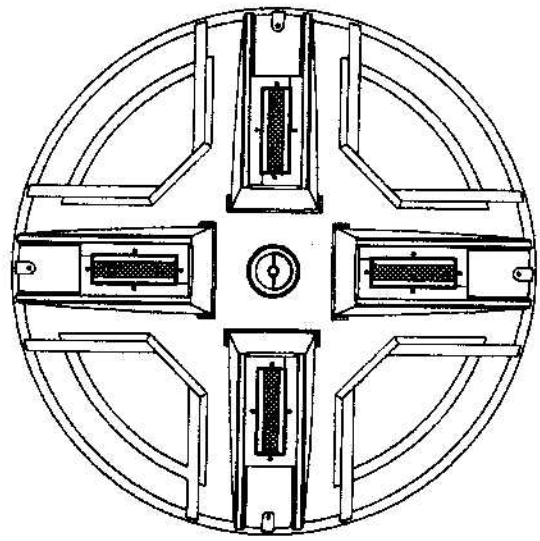


This drawing may not be used for any purpose other than by the owner. The drawing and design are property of Rotonics Manufacturing, Inc. All dimensions shown are outside part dimensions in inches, and may vary due to material shrinkage. Specifications are subject to change without notice. Gallons and weights are approximate only.



RMI-T
 3023 S. I-35
 Gainesville, TX 76240
 940-668-8596

DO NOT SCALE		ROTONICS MFG. INC.	
APPROVALS	DATE	1708 S. FRIELSON CT. GAINESVILLE, CA 92608 PHONE (714) 357-4407 FAX (714) 359-8887	
DESIGN BY DPL/ML	9/13/04	285 Gal	
		Multi-Feed Station	
CHECKED BY		SIZE A	DWG. NO. S-1467
APPROVED BY		SCALE: 1" = 24"	REV. SHEET 1 OF 1