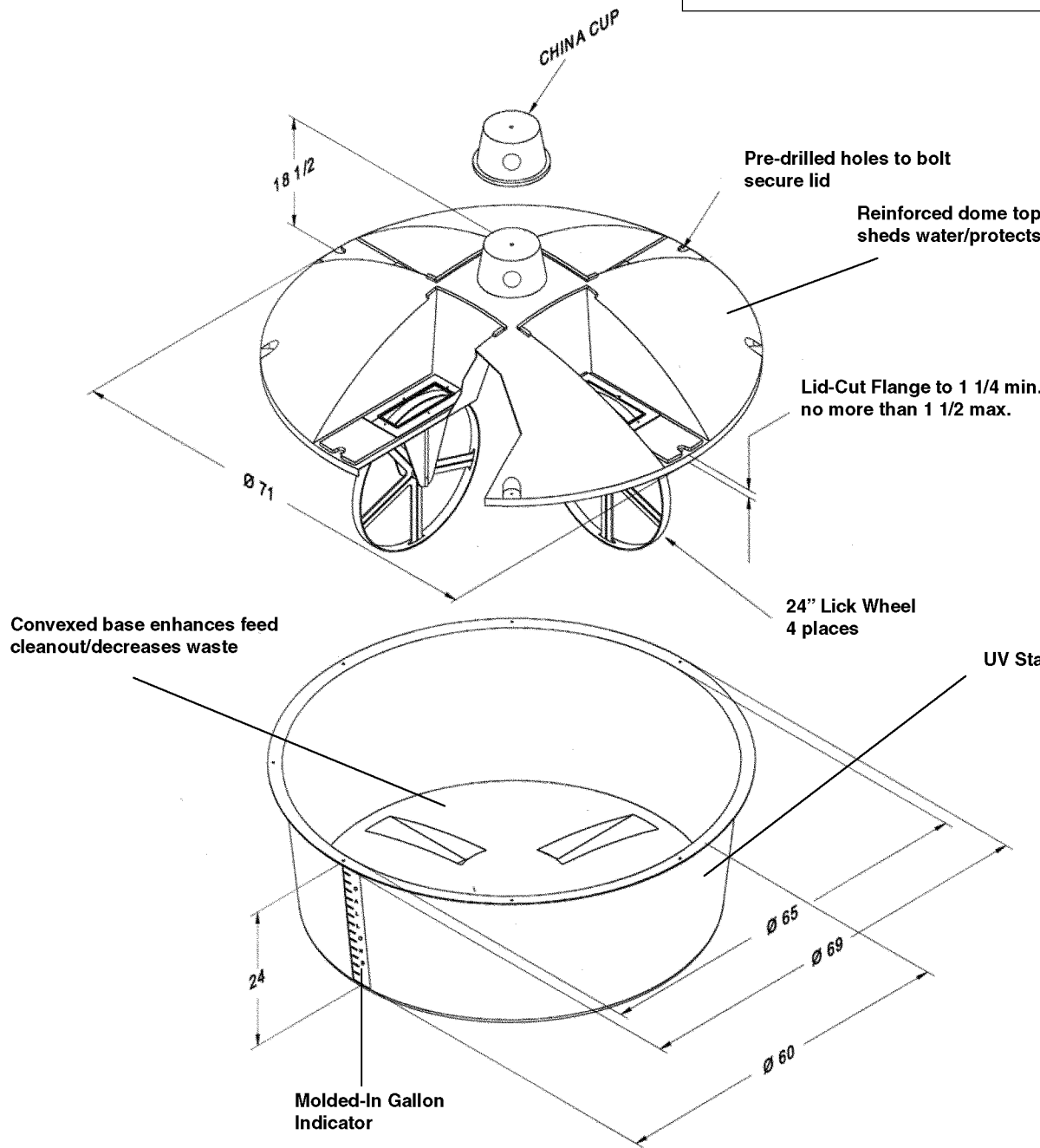


This drawing may not be used for any purpose other than by the owner. The drawing and design are property of Rotonics Manufacturing, Inc. All dimensions shown are outside part dimensions in inches, and may vary due to material shrinkage. Specifications are subject to change without notice. Gallons and weights are approximate only.



RMI-G  
 17038 South Figueroa St.  
 Gardena, CA 90248  
 310-327-5401

RMI-I  
 716 North 11th Avenue  
 Caldwell, Idaho 83605  
 208-454-9271

RMI-T  
 3023 S. I-35  
 Gainesville, TX 76240  
 940-668-8596

DO NOT SCALE		<b>ROTONICS MFG. INC.</b>		17038 S. FIGUEROA ST. GARDENA, CA. 90248 Phone: (310) 327-5401 Fax: (310) 323-8567	
APPROVALS	DATE	<b>285 gal. LICKFEEDER</b>			
DRAWN BY: DPHAM	REDRAWN: 8/02/04				
DESIGN BY:					
CHECKED BY:		SIZE <b>A</b>	DWG. No. <b>S-1276</b>	REV.	
APPROVED BY:		SCALE: 1 = 20		SHEET 1 of 1	