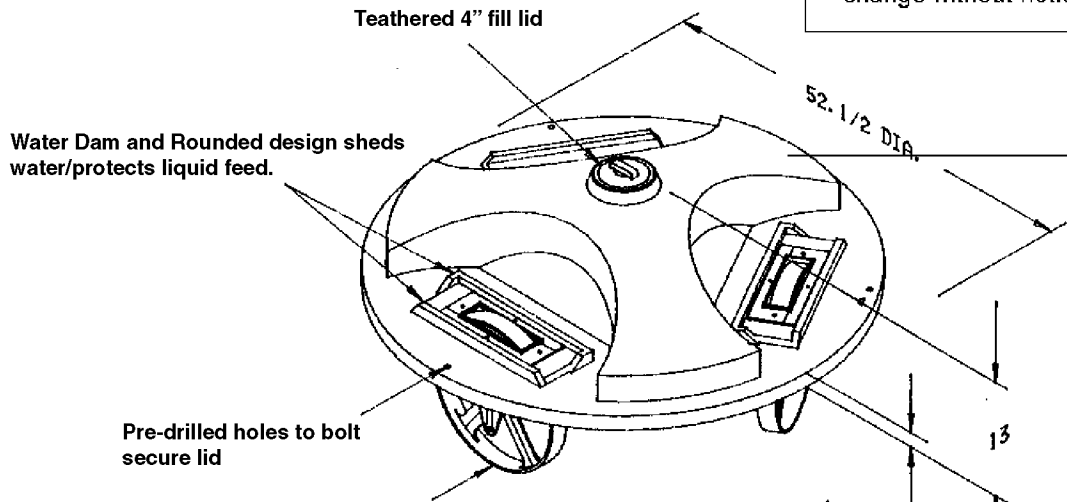
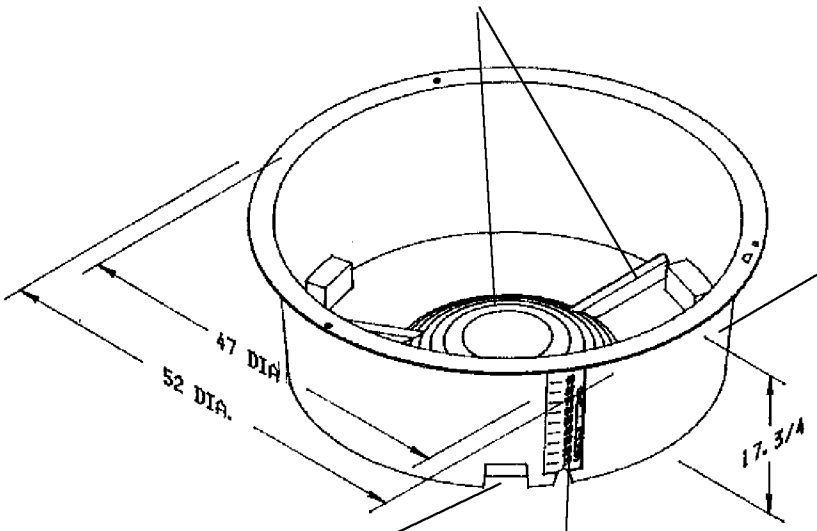


This drawing may not be used for any purpose other than by the owner. The drawing and design are property of Rotonics Manufacturing, Inc. All dimensions shown are outside part dimensions in inches, and may vary due to material shrinkage. Specifications are subject to change without notice. Gallons and weights are approximate only.



Convexed bottom with molded in traction bars enhances feed cleanout/decreases waste.

LID - CUT FLANGE TO 1. 1/4 MIN. NO MORE THAN 1. 1/2 MAX.



RMI-G  
17038 South Figueroa St.  
Gardena, CA 90248  
310-327-5401

RMI-F  
230 Bartow Municipal Airport  
Bartow, FL 33830  
863-533-0629

RMI-I  
716 North 11th Avenue  
Caldwell, Idaho 83605  
208-454-9271

**ROTONICS MFG. INC.** 17038 SOUTH FIGUEROA ST. GARDENA, CA. 90248 (310) 327- 5401

**110 GAL. LICKFEEDER**

DRAWN BY: Dpham	DESIGN BY:	DATE: 10-14-96	SCALE : 1 = 16	DWG. NO. <b>S-1274</b>
--------------------	------------	-------------------	-------------------	---------------------------