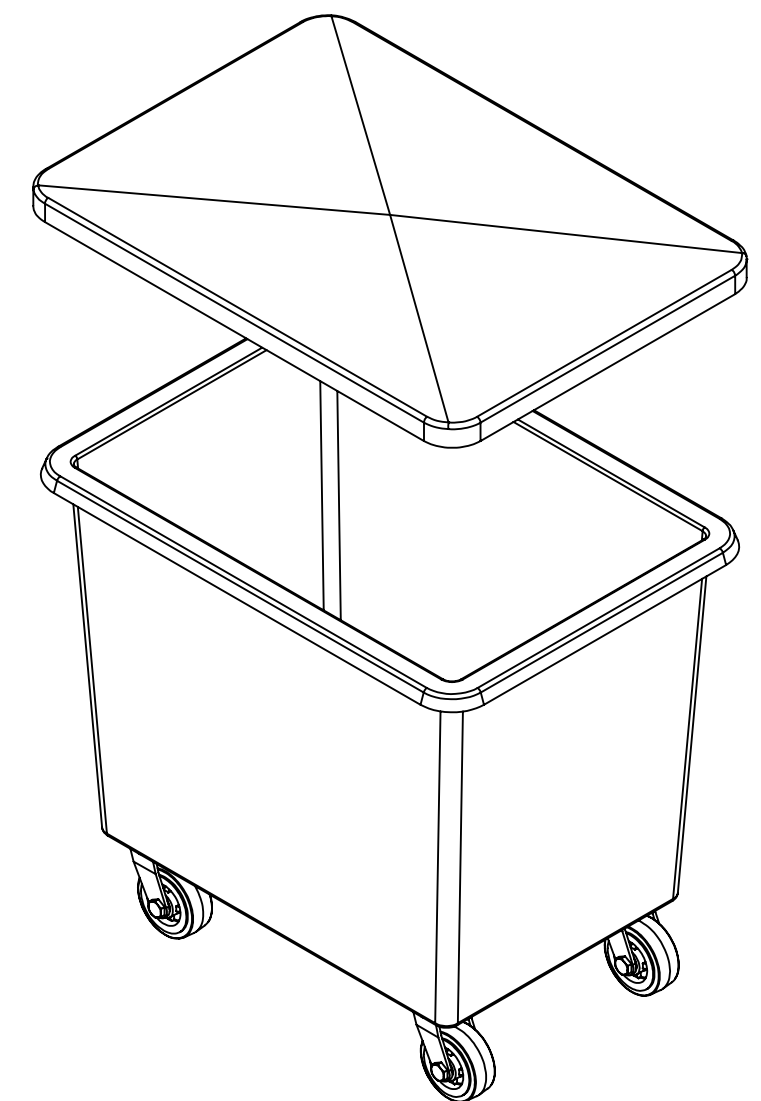
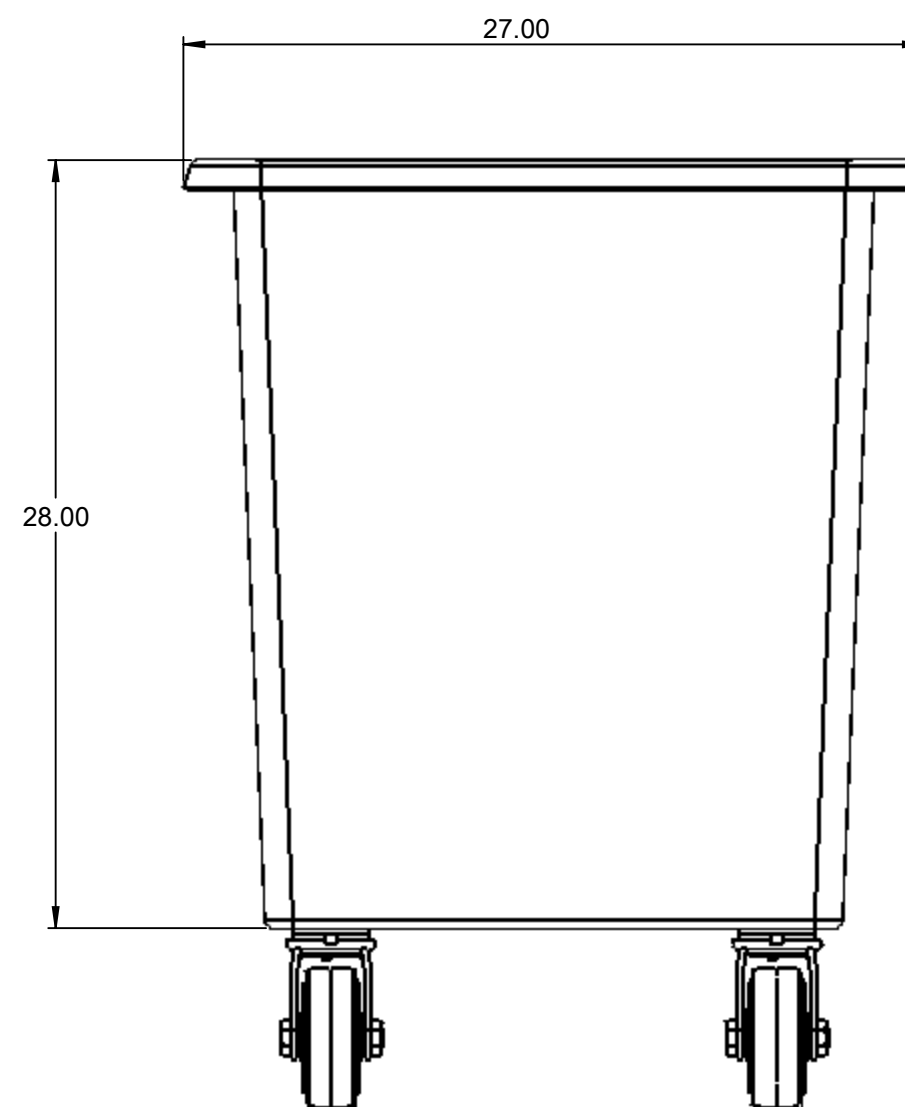
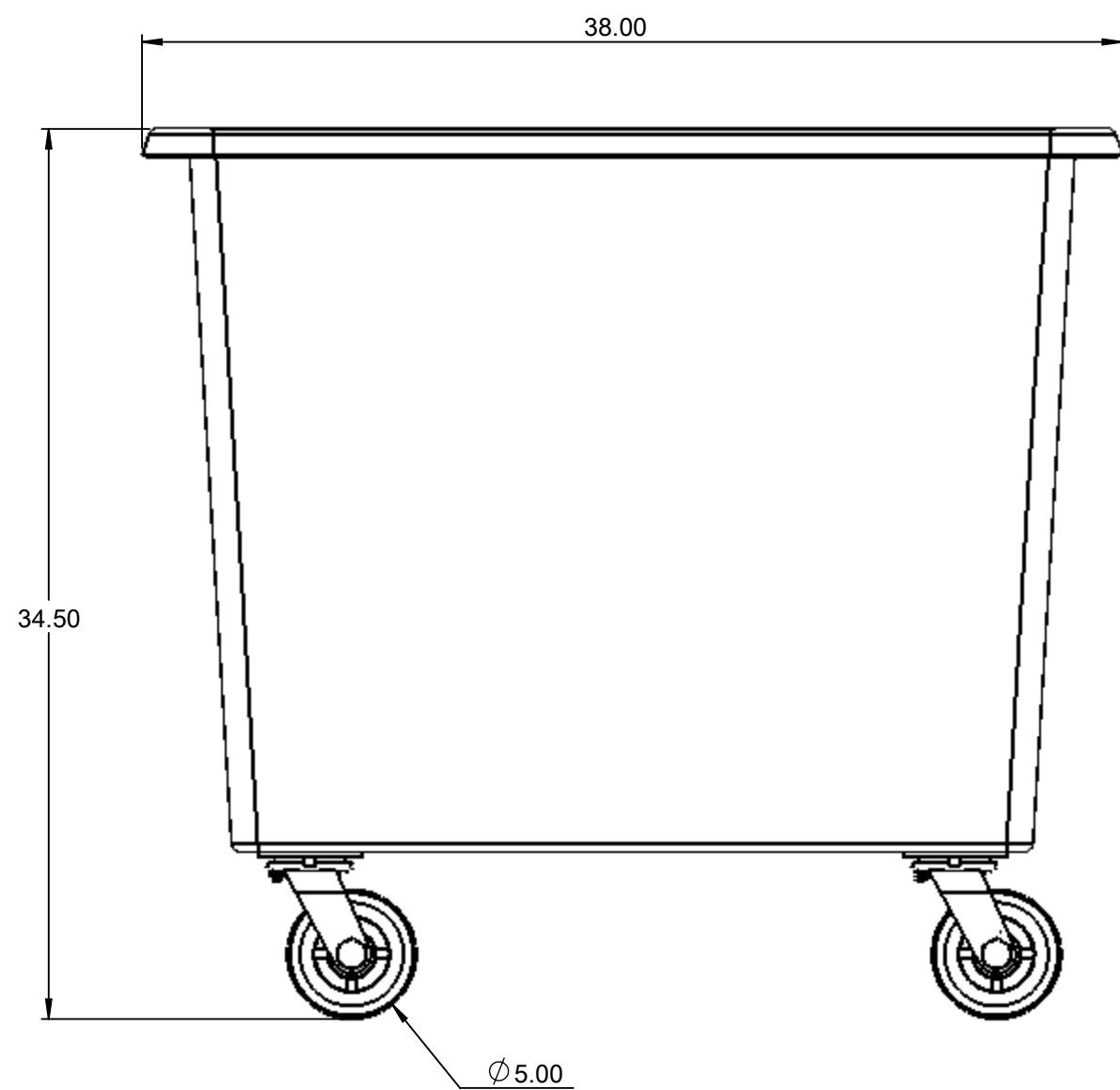
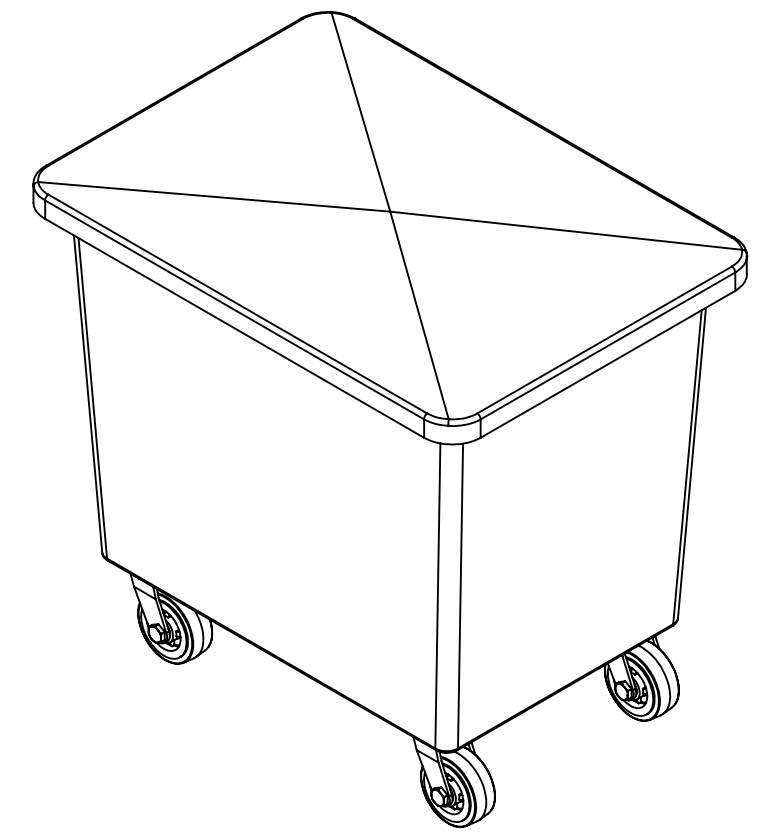
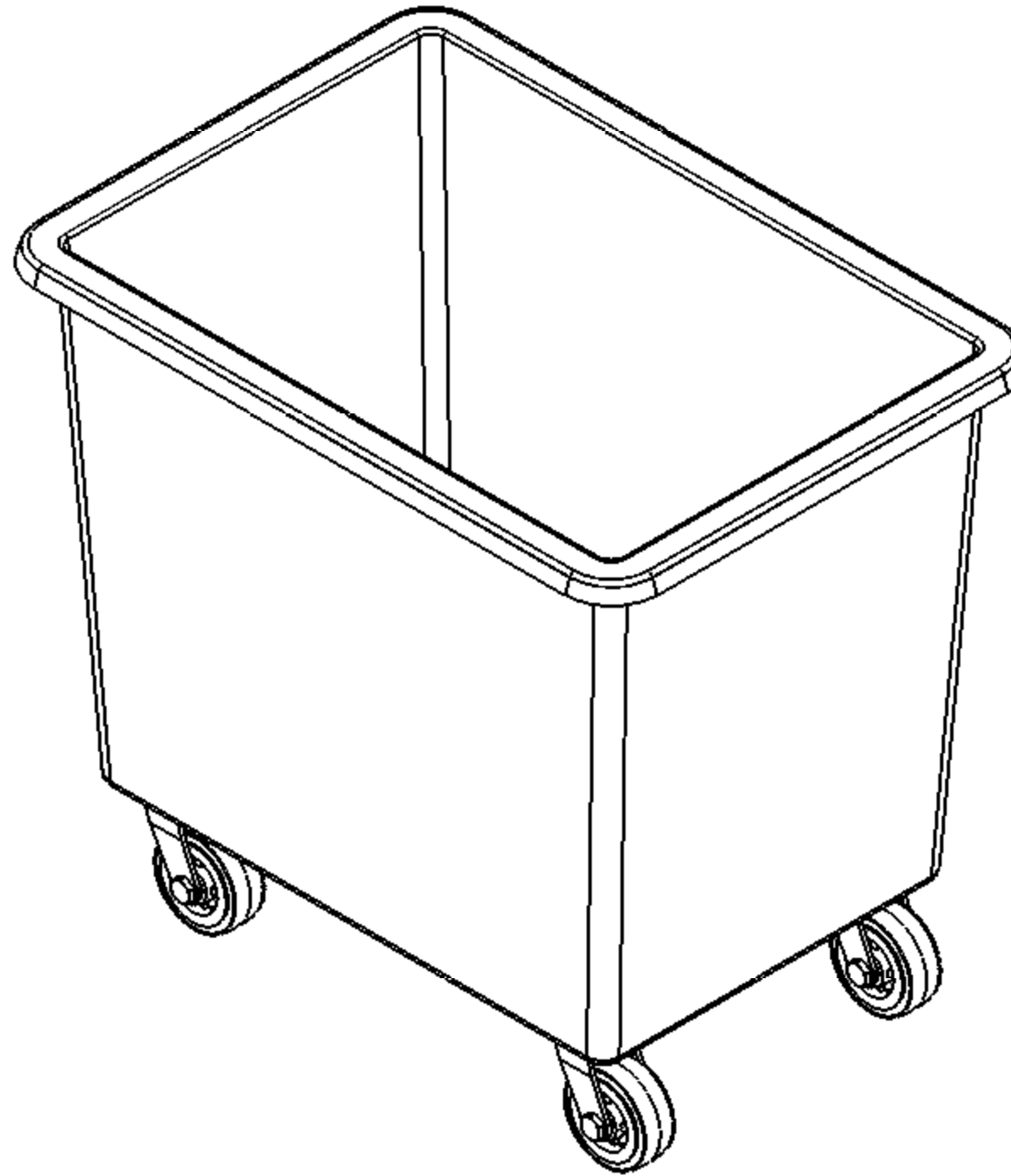
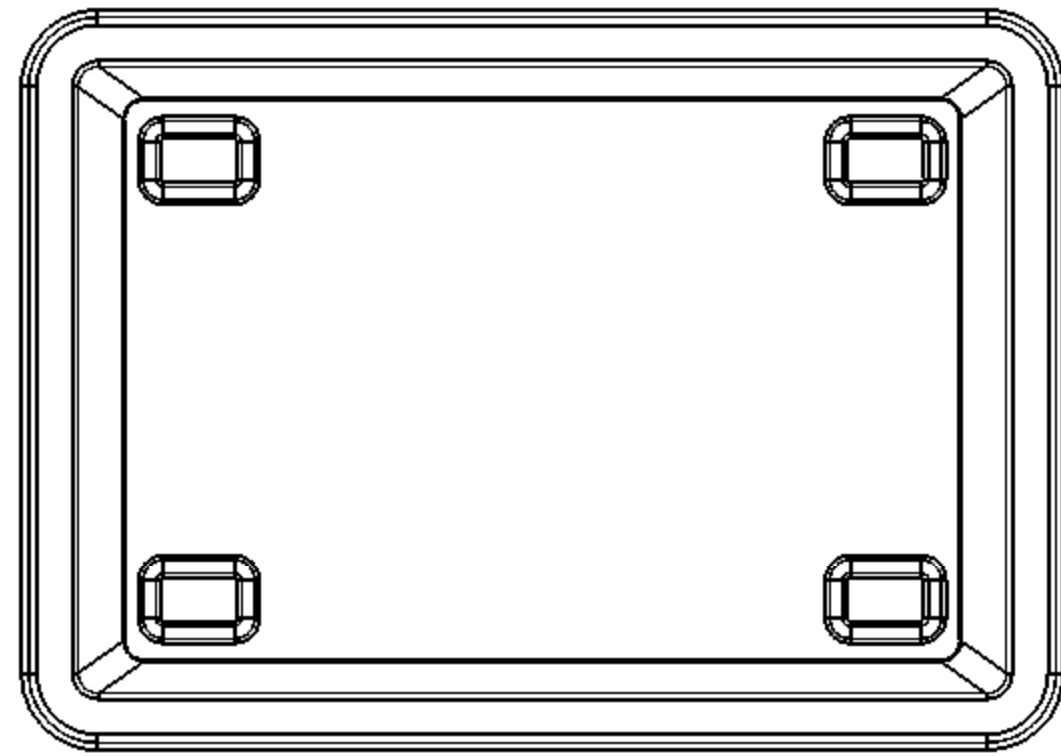


THIS DRAWING MY NOT BE USED FOR ANY PURPOSE OTHER THAN BY THE OWNER. THE DRAWING & DESIGN ARE PROPERTY OF ROTONICS MANUFACTURING, INC. ALL DIMENSIONS SHOWN ARE OUSIDE PART DIMENSIONS IN INCHES, AND MAY VARY DUE TO MATERIAL SHRINKAGE. SPECIFICTIONS ARE SUBJECT TO CHANGE WITHOUT NOTICE. GALLONS AND WEIGHTS ARE APPROXIMATE ONLY.



ROTONICS MFG, INC.
www.rotomics.com
800-423-8539

4700 Mitchell Street
N. Las Vegas, NV 89081
Phone: 702-643-2644
Fax: 702-643-2641

TITLE: 41BBT12 12-BUSHEL BASELESS			
DRAWN BY: S CAMPBELL	DATE: 07/29/09	DWG. NO. 41BBT12	REV: A
SCALE: 1:7		SHEET 1 OF 1	