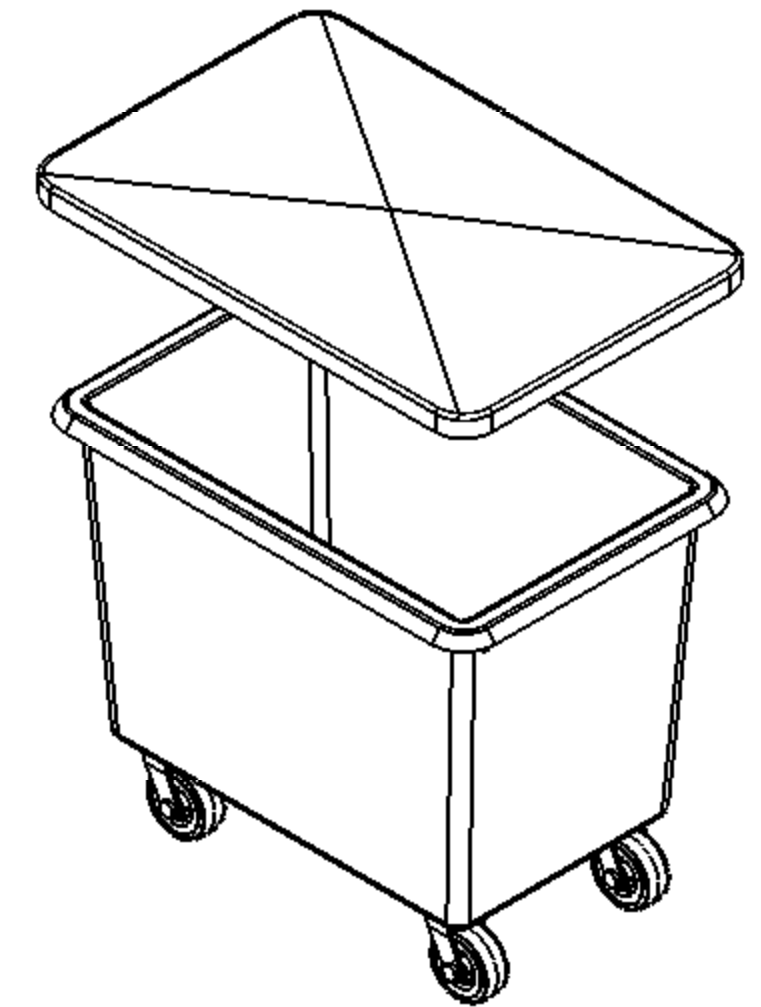
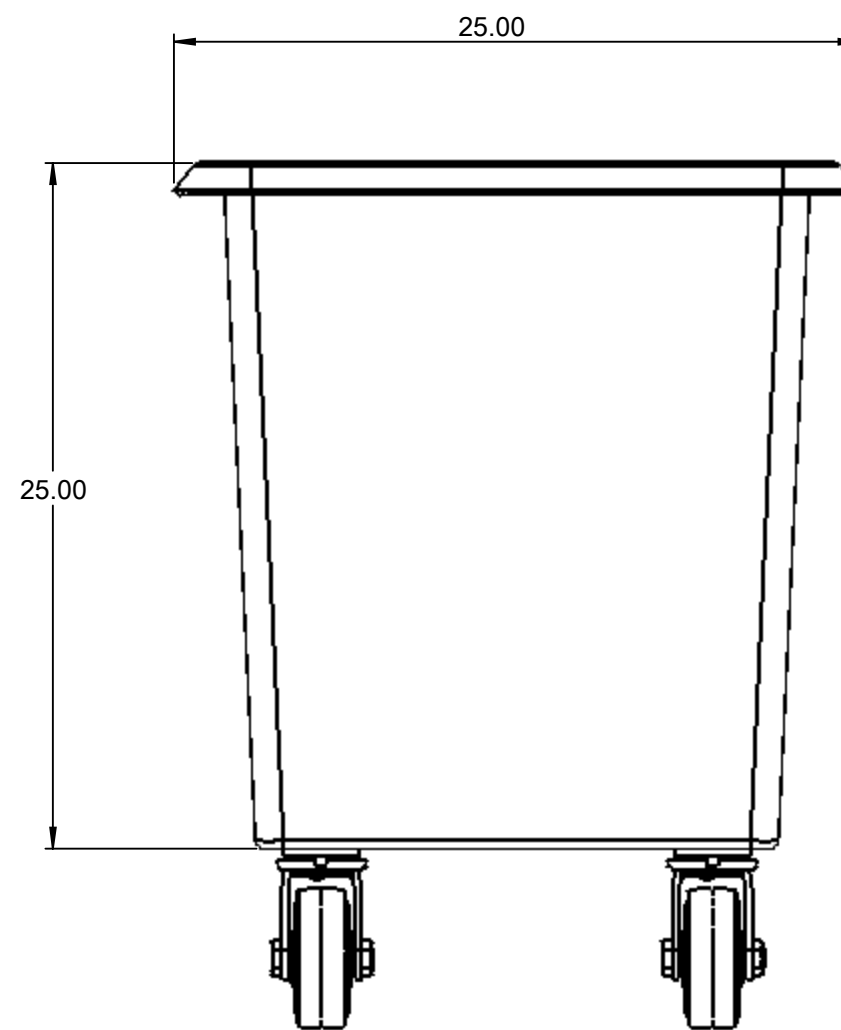
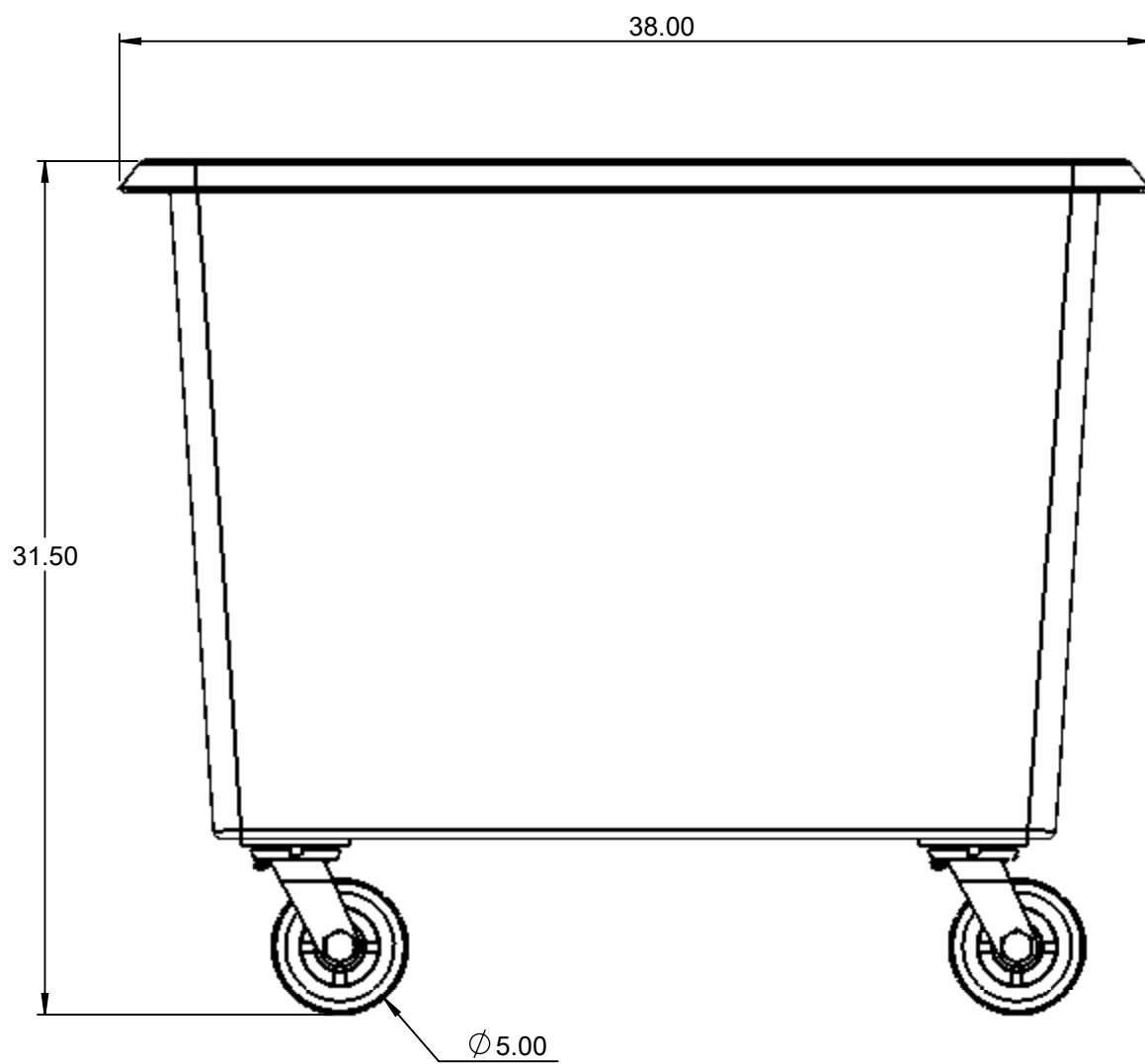
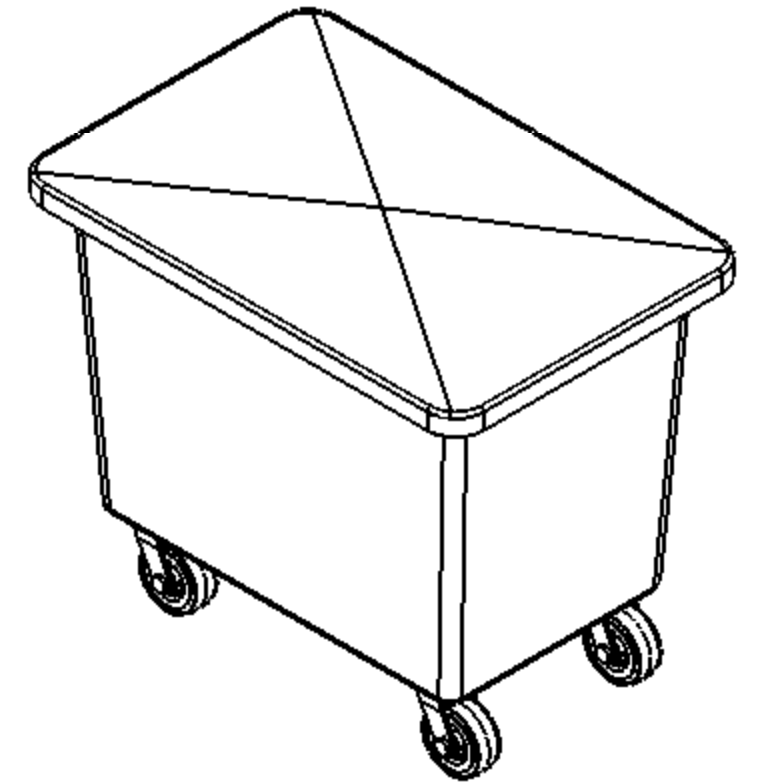
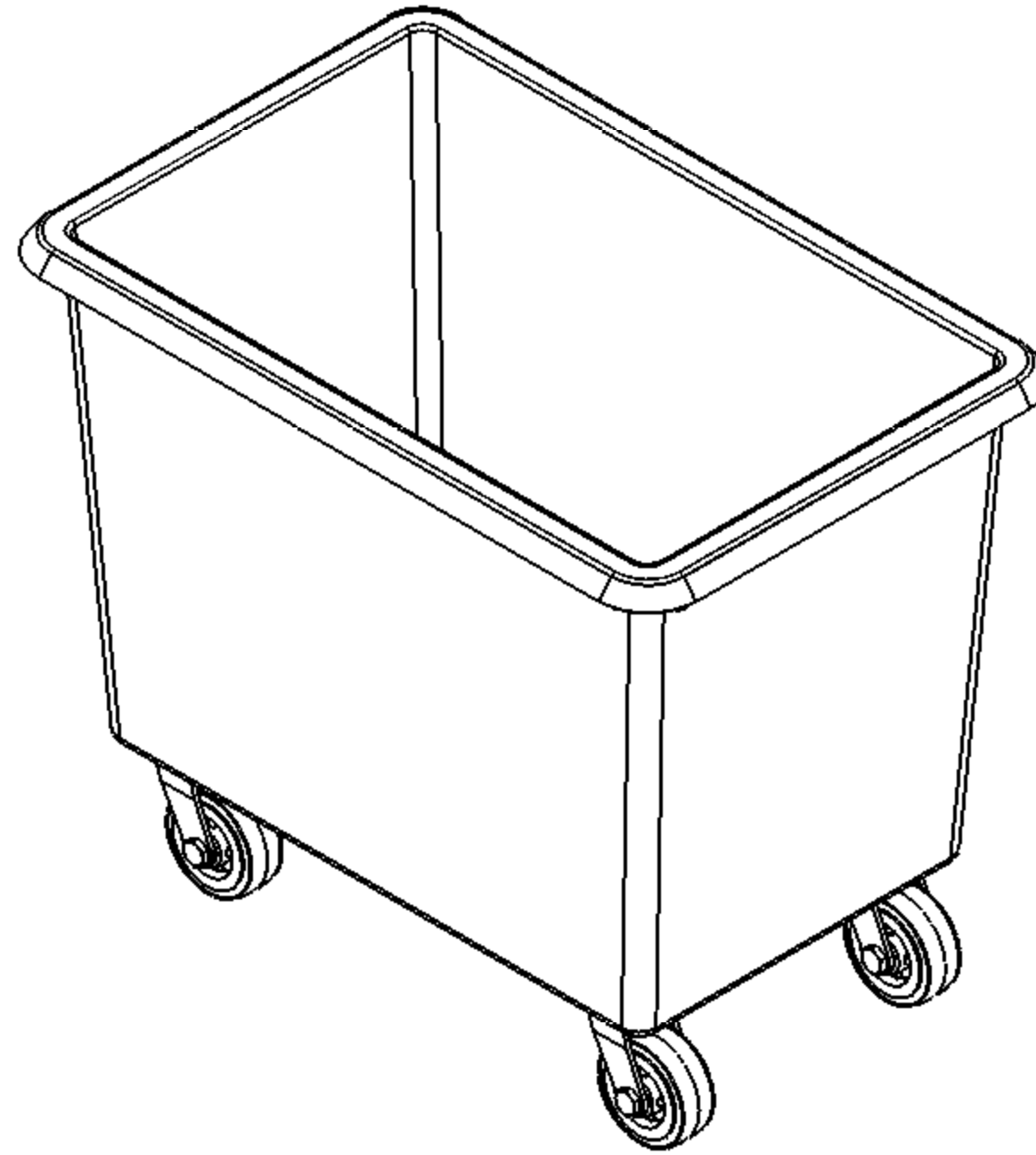
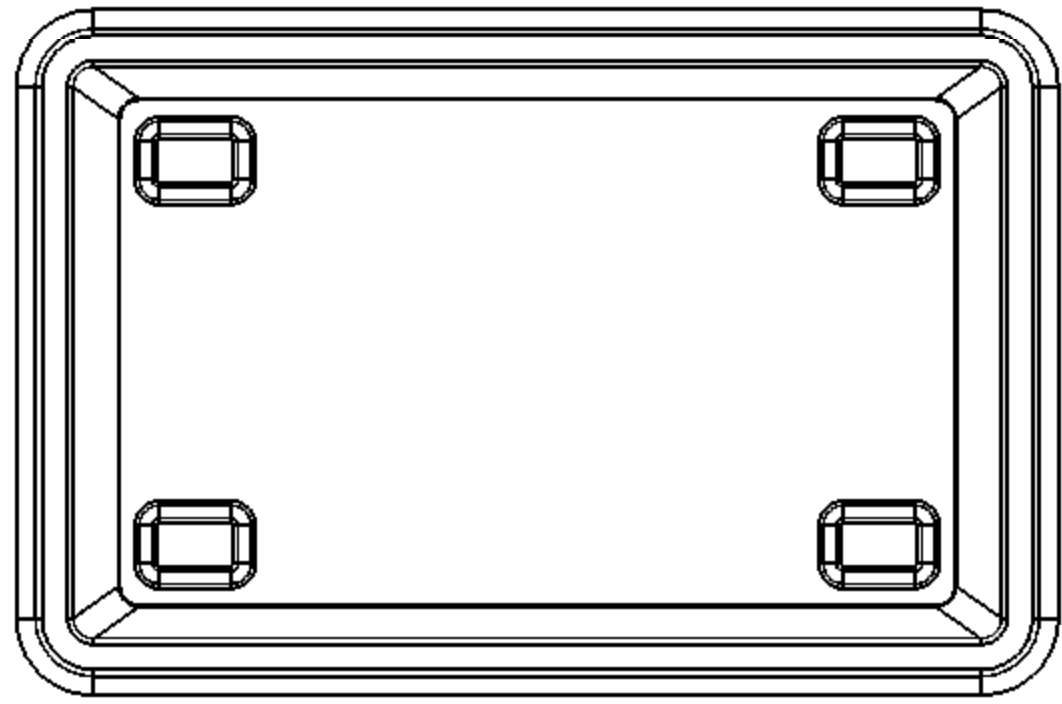


THIS DRAWING MAY NOT BE USED FOR ANY PURPOSE OTHER THAN BY THE OWNER. THE DRAWING & DESIGN ARE PROPERTY OF ROTONICS MANUFACTURING, INC. ALL DIMENSIONS SHOWN ARE OUTSIDE PART DIMENSIONS IN INCHES, AND MAY VARY DUE TO MATERIAL SHRINKAGE. SPECIFICATIONS ARE SUBJECT TO CHANGE WITHOUT NOTICE. GALLONS AND WEIGHTS ARE APPROXIMATE ONLY.



ROTONICS MFG, INC.
www.rotomics.com

4700 Mitchell Street
N. Las Vegas, NV 89081
Phone: 702-643-2644
Fax: 702-643-2641

TITLE:
41BBT10 10-BUSHEL BASELESS

DRAWN BY: S CAMPBELL	DATE: 07/29/09	DWG. NO. 41BBT10	REV: A
-------------------------	-------------------	---------------------	-----------

SCALE: 1:7 SHEET 1 OF 1